



JST139E-600E 16A TRIAC

Rev.A.1.1

DESCRIPTION:

The JST139E-600E triac is a bidirectional device which can be used as ON/OFF switch in AC circuits. It can be used in AC circuits with a maximum RMS current of 16A and a maximum average current of 1.6A. The device is designed for use in AC circuits with a maximum RMS current of 16A and a maximum average current of 1.6A. The device is designed for use in AC circuits with a maximum RMS current of 16A and a maximum average current of 1.6A.

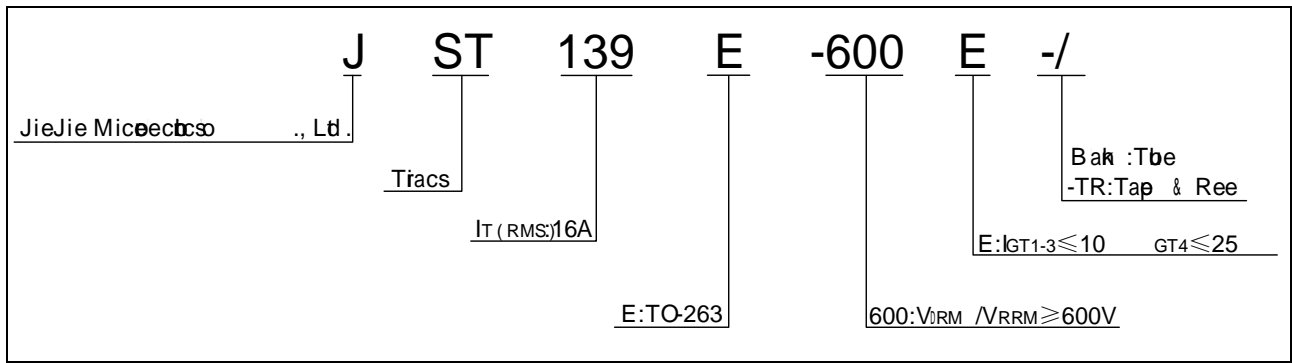
Electrical Characteristics (at $T_c = 25^\circ\text{C}$):

Forward Current (I_{FT})	16A
Reverse Current (I_{RT})	10mA
Forward Voltage (V_{FM})	1.0V
Reverse Voltage (V_{RM})	400V
Forward Power Dissipation (P_{FM})	0.5W
Reverse Power Dissipation (P_{RM})	0.5W
Thermal Resistance ($R_{\theta JC}$)	34.391 $^\circ\text{C/W}$
Thermal Resistance ($R_{\theta CA}$)	0.002 $^\circ\text{C/W}$
Thermal Resistance ($R_{\theta CB}$)	0.002 $^\circ\text{C/W}$
Thermal Resistance ($R_{\theta CA}$)	0.004 $^\circ\text{C/W}$
Thermal Resistance ($R_{\theta CB}$)	0.002 $^\circ\text{C/W}$
Thermal Resistance ($R_{\theta CA}$)	0.002 $^\circ\text{C/W}$
Thermal Resistance ($R_{\theta CB}$)	0.002 $^\circ\text{C/W}$

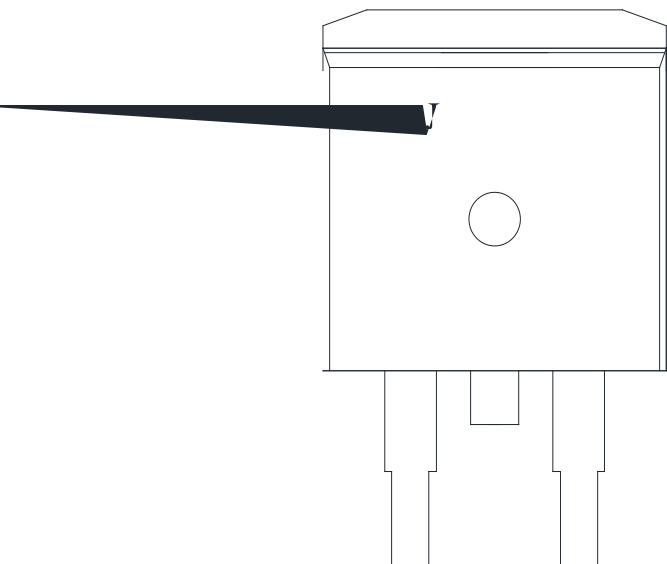
in

ELECTRICAL CHARACTERISTICS

ORDERING INFORMATION



MARKING



JST139E-600E

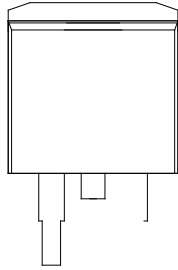
ORDERING INFORMATION

Order code	Voltage V _{DRM} /V _{RRM} (V)	IGT(mA)		Package	Base qty. (pcs)	Delivery mode
		-	-			
JST139E-600E	600	10	25	TO-263	50	Tube
JST139E-600E-TR					800	Tape & Reel

Document Revision History

Date	Revision	Changes
Apr.14, 2023	A.1.0	Launched

GE MECHANICAL DATA



Re	Di					
	Mii			f	lohes	
	Min	Tp	Max	Min	Tp	Max
A	9.90		10.20	0.390		0.402
B	14.70		15.80	0.579		0.622
C	9.40		9.60	0.370		0.378
D	2.40			0.094		
E	1.20		1.50	0.047		0.059
F	0.75		0.85	0.029		0.033

In
 JieJie Microelectronics
 Co., Ltd. as
 the
 agent, JieJie
 provided in
 JieJie as
 the
 product which
 is used in
 the
 product and
 information
 provided.
 This
 information
 is for
 reference
 only.