

-67 + ( \$ 75, \$ &

5HY \$

^ Z/Wd/KEW

7KH -67 + ( WULDF LV VXLWDEOH IRU JHQHUDO SXUSRVH  
 \$ & VZLWFKLQJ , W FDQ EH XVHG DV DQ 21 2)) IXQFWLRQ LQ  
 DSSOLFDWLRQV VXFK DV D W KH D Q L Q Q G X F W L R Q P R W R U  
 V W D U W L Q J F L U F R Q W W R I R R S H K U D W L R Q L Q O L J K W  
 G L P P H U V P R W R U R S O H H G V F R O M P 7 W H U P L Q D O V  
 W R H [ W H U Q D O K H D W V L Q L W S D F O D R P S O L D Q W

D / E & dhZ ^

6 \ P E R O	9 D O X H	8 Q L W
,7 506		\$
9 50 9 50		9
,*7		P \$

^K>hd D y/DhD Z d/E'^^

3 D U D P H W H U	6 \ P E R O	9 D O X H	8 Q L W
6 W R U D J H M X S F W L R Q U W H P D Q J H	V W J	7	
2 S H U D W L Q J W H K O S H U L D R O X U H U D Q J H	M		7
5 H S H W L W L Y H S H D N R I I V W D W H Y R O W D J H	7		9
5 H S H W L W L Y H S H D N W H Y H U V H Y R O W D J H	7		9
506 R Q V W D W H & O F X U U H Q W 7	,7 506		\$
1 R Q U H S H W L W L Y H V X U J H S H D N R Q V W D W H F X U U H Q W			\$
IXOO F S \ F O H P V M W			
1 R Q U H S H W L W L Y H V X U J H S H D N R Q V W D W H F X U U H Q W	,7 506		\$
IXOO F S \ F O H P V W 7			
, W Y D O X H I R U P X V L Q J W	, W		V \$
& U L W L F D O B D W G R W D W H F X U U H Q W	G, G W		\$ V
; h,*7 l +]M 7			
3 H D N J D W H F X U U H Q W W	,*0		\$
\$ Y H U D J H J D W H S R Z H U G L V V L S D W L R Q 7			
3 H D N J D W H S R Z H U	3*0		:
3 H D N S X O V H Y R O W D J H			
M Q R Q U H S H W L W L Y H R I I V W D W H ) , *	9 S S		

-67 + (

-LH-LH 0LFURHOHFWURQL

> dZ/ > , Z d Z M d/ XQOHVV RWKHUZZLVH VSHFLILHG

6\PERO	7HVW &R	QGLWLRQ	4XDGUDQW	9DOXH
,7	9 9 5		0\$;	P\$
9*7		\$//	0\$;	9
9*	9 9 <sup>50</sup> 7 <sup>M</sup> 5/ N	\$//	0,1	9
/	,* ;7		0\$;	P\$
,+	,7 P\$		0\$;	P\$
G9 GW	99 *DWH 2SHQ 7		0,1	9 V
G9 GW F	G, GW F \$ PV 7		0,1	9 V

W

- 67 + (

- LH-LH 0LFURHOHFWURQL

---

- 67 + (

- LH-LH 0LFURHOHFWURQL

), \* 0D[LPXP SRZHU GLVVLSDWLRQ Y)H\*UV5065RQ VWDWH FXUUHQW YH  
RQ VWDWH FXUUHQW WHPSHUDWXUH

iñ

ii

iñ

ii

ñ iX = i iX = i iX = i iX = i iX = ð iX = ñ

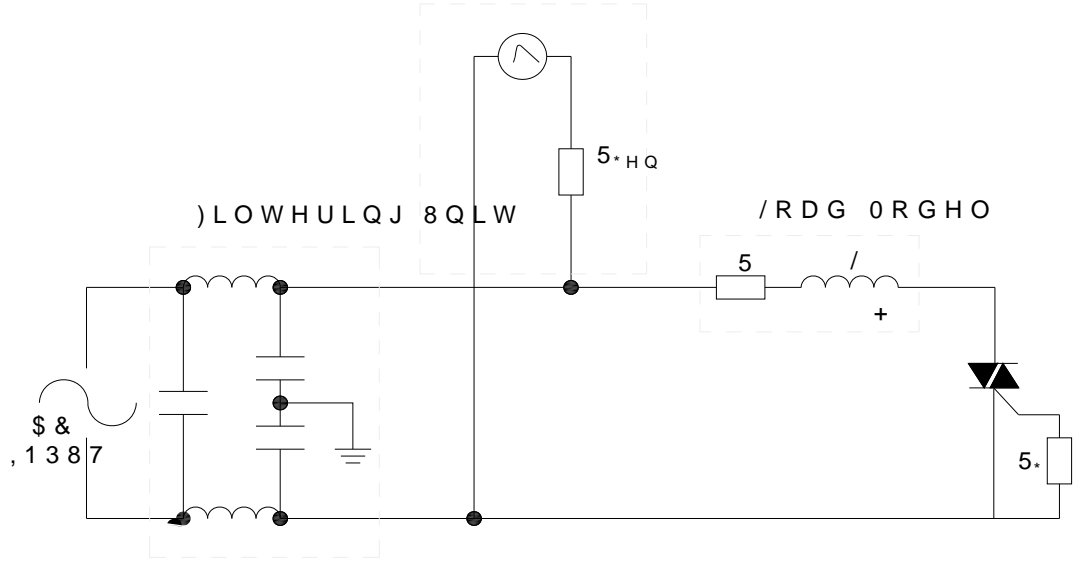
i i i ð ð ð i i i i i ð

-67 + (

-LH-LH 0LFURHOHFWURQL

), \* Ö7HVW FLUFXLW IRUHVLDQVXEWLYOHRDQGVWRD,Q&DUGV

, (& 6WDQGDUGV  
6XUJH \*HQHUDWRU  
6 YROWDJH VXUJH  
6 FXUUHQW VXUJH

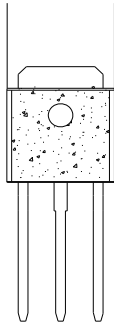
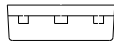




-67 + (

-LH-LH 0LFURHOHFWURQL

W < ' D , E/ > d



,QIRUPDWLRQ IXUQXPHQW LQ WKOLHGRHG WR EH DFFXUDWH  
 -LDQJVV -LH-LH 0LFURHOHFWURQLFV & W\ I/RUGWDMV XRIQW HQRX  
 XVH ZLWKRXXW FRQFKGLHUBWPEBQURQ QRU XVH EHRQG LW ,  
 WKLW GRFXPHQWKDQVXZMLMFKR XWR QRKDLWHZKDSDDQ DJRPHPH  
 VLJQHGH -LDQJVSOLHVLZILWRKPWKH DJUHHPHQW  
 3URGXFWV DQG LQIRURDWKLRQ GRFXPHQW KDYH QR LQIULQJ  
 -LDQJVV -LH-LH DVVXPHLOQR\URVSRQWIRQKHQJHLPJKWW RRI WH  
 SDUWLHV ZKLFK PDH XVVXPHQW XFKPSWBBDWWRQDQKILQGRFXPH  
 VXSHUVHGHV DQG UHSODFHV DOO LQIRUPDWLRQ SUHYLRXV  
 LV D UHJLVWHUHGDQJDXGLHDUN RUF-URHOWHFWURQLFV &  
 &RS\ULJKW < -LDQJVRHHEMURQUEYK&RV U/HGHUSYHG