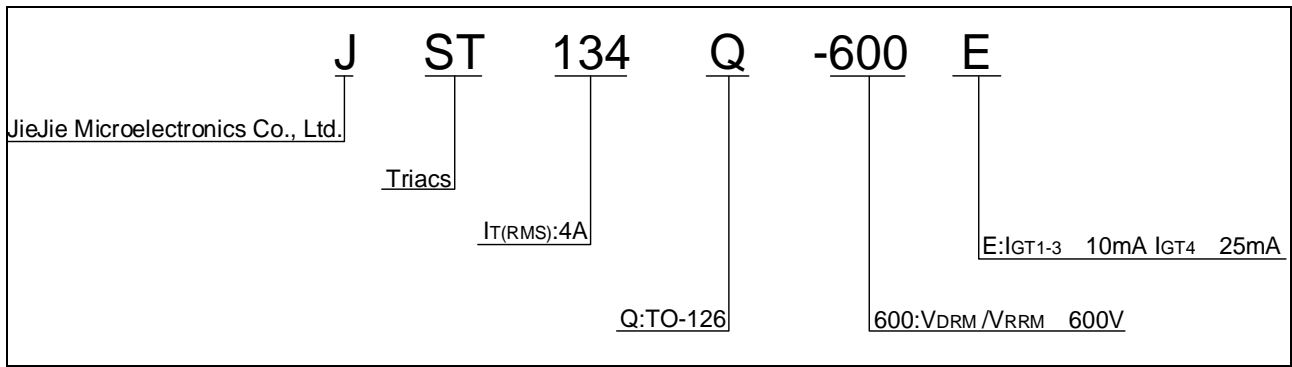


CHARACTERISTICS (T_j=25 unless otherwise specified)

Condition	Quadrant		Value	Unit
L=33	- -	MAX.	10	mA
			25	
	ALL	MAX.	1	V
T _j =125	ALL	MIN.	0.2	V
	- -	MAX.	15	mA
			25	
I _H	I _T =100mA	MAX.	20	mA

dV/dt V_D=400V OpTJ 0e0 Tw 2.004 Tw 12 030 Td 4

ORDERING INFORMATION



MARKING

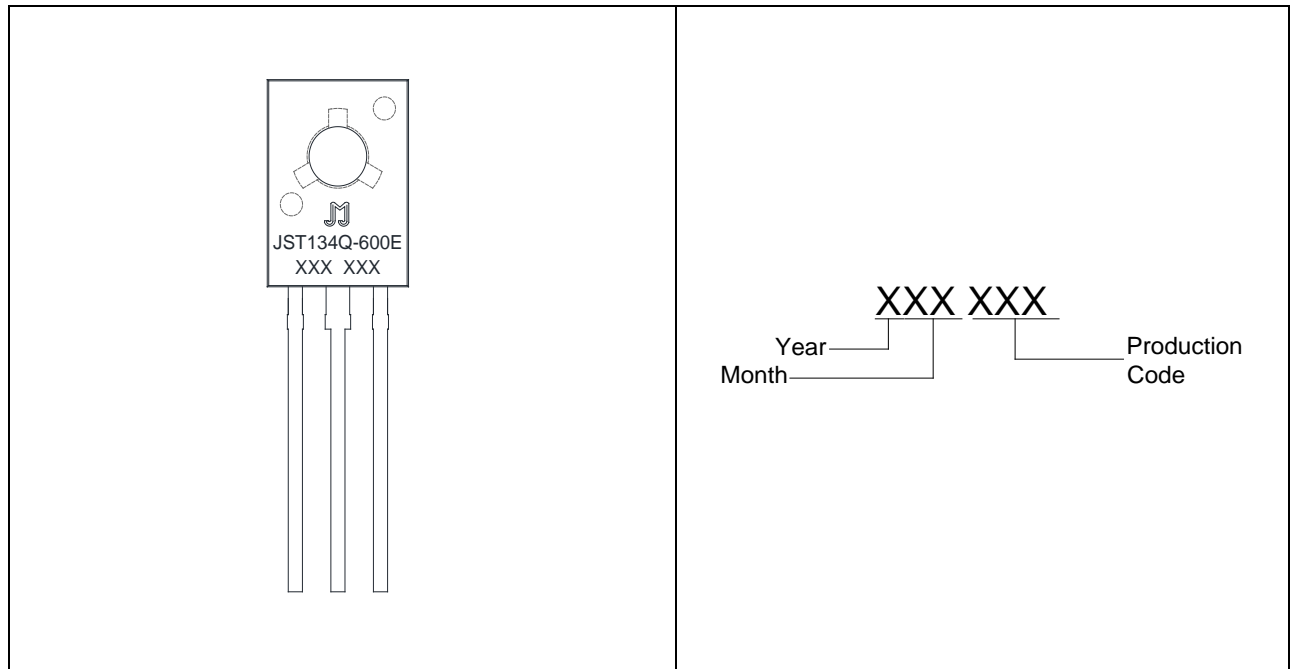


FIG.1: Maximum power dissipation versus RMS on-state current

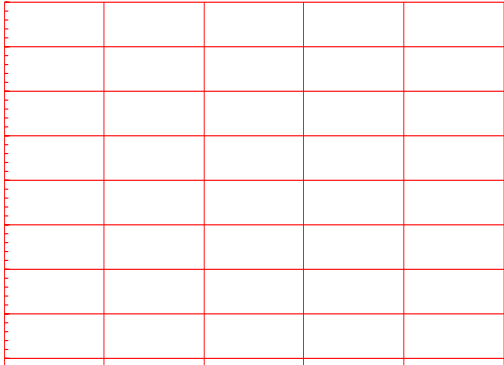
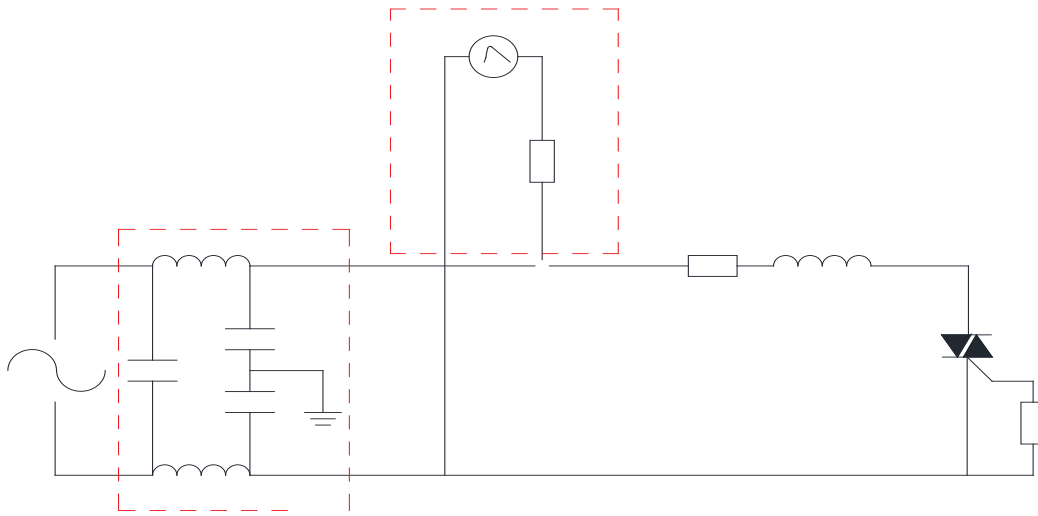


FIG.2: RMS on-state current versus case temperature

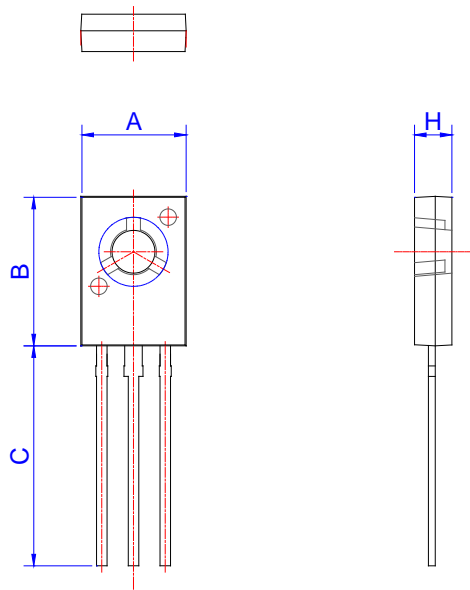
FIG.7 Test circuit for inductive and resistive loads to IEC-61000-4-5 standards



ORDERING INFORMATION

Order code

PACKAGE MECHANICAL DATA



Ref.	Dimensions					
	Millimeters			Inches		
	Min.	Typ.	Max.	Min.	Typ.	Max.
A	7.40		7.80	0.2913	0.3071	0.3150
B	10.6			0.4173		
C	15.3			0.6024		
D	3.90			0.1535		
E						
F						
G						
H						
J						
K						

