

JST08K-800SW 8A TRIAC

Rev.A.1.1

DESCRIPTION:

The JST08K-800SW triac is suitable for general purpose AC switching. It can be used as an ON/OFF function in applications such as heating regulation, induction motor starting circuits, for phase control operation in light dimmers, motor speed controllers. JST08K-800SW snubberless triac is especially recommended for use on inductive loads. It can be driven directly through the MCU I/O port. Package TO-252 is RoHS compliant.

MAIN FEATURES

ABSOLUTE MAXIMUM RATINGS

Parameter	Symbol	Value	Unit
Storage junction temperature range	T _{stg}	-40-150	

ORDERING INFORMATION

	J	ST	08	K	-800	SW	-/
JieJie Microelectronics Co., Ltd.	Triacs	$I_{T(RMS)}:8A$					Blank:Tube -TR:Tape & Reel
			$K:TO-252$			$SW:I_{GT1-3} 010mA$	
					$800:V_{DRM}/V_{RRM} 1800V$		

MARKING

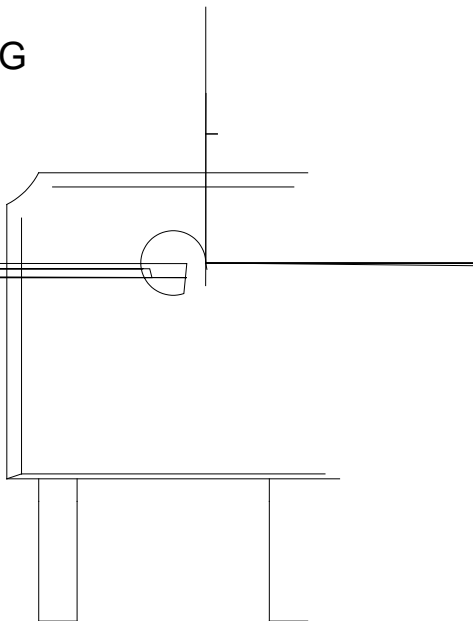


FIG.1: Maximum power dissipation versus RMS on-state current

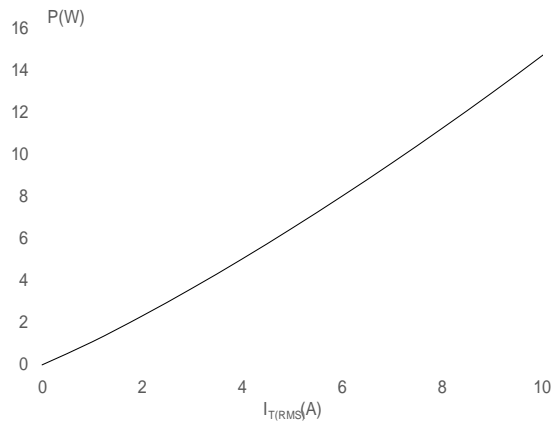


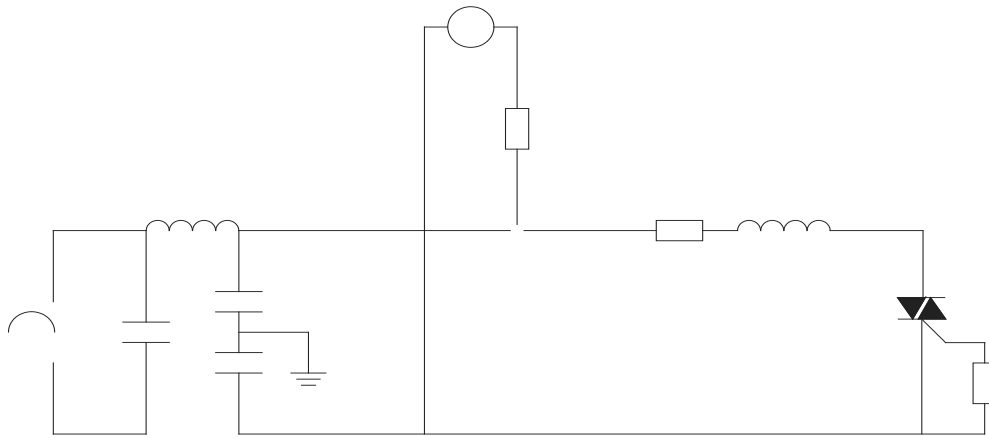
FIG.2: RMS on-state current versus case temperature



FIG.7: Relative variations of gate trigger current, holding current and latching current versus junction temperature



FIG.8 ÖTest circuit for inductive and resistive loads to IEC-61000-4-5 standards



ORDERING INFORMATION

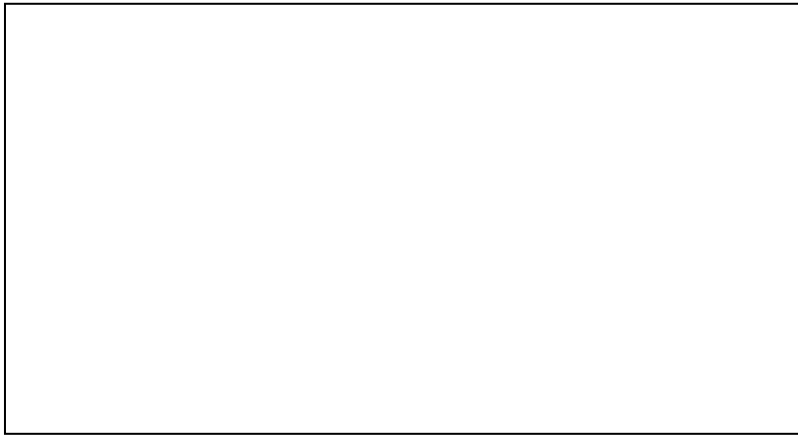
Order code	Voltage V_{DRM}/V_{RRM} (V)	IGT(mA)	Package	Base qty. (pcs)	Delivery mode
		H- I- J			
JST08K-800SW	800	10	TO-252	80	Tube
JST08K-800SW-TR				2,500	Tape & Reel

Document Revision History

Date	Revision	Changes
Apr.12, 2023	A.1.0	Last updated
Oct.22, 2025	A.1.1	Revise PACKAGE MECHANICAL DATA

PACKAGE MECHANICAL DATA

Ref.	Dimensions	
	Millimeters	Inches



Information furnished in this document is believed to be accurate and reliable. However,