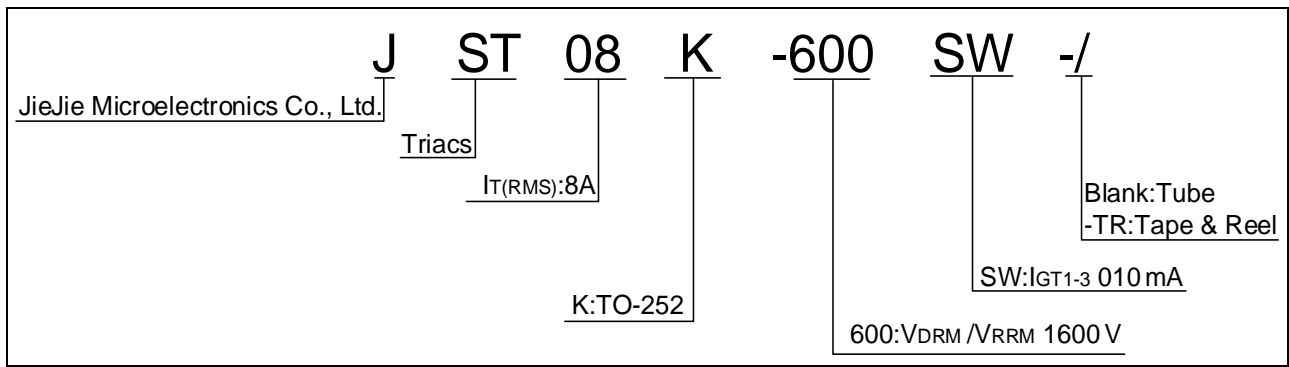


| | | | |
|--|----------|-----|----|
| Peak pulse voltage ($T_j=25$; non-repetitive, off-state; FIG.8) | V_{pp} | 1.5 | kV |
|--|----------|-----|----|

ELECTRICAL CHARACTERISTICS (unless otherwise specified)

| Symbol | Test Condition | Quadrant | Value | Unit |
|--------|----------------|----------|-------|------|
|--------|----------------|----------|-------|------|

ORDERING INFORMATION



MARKING

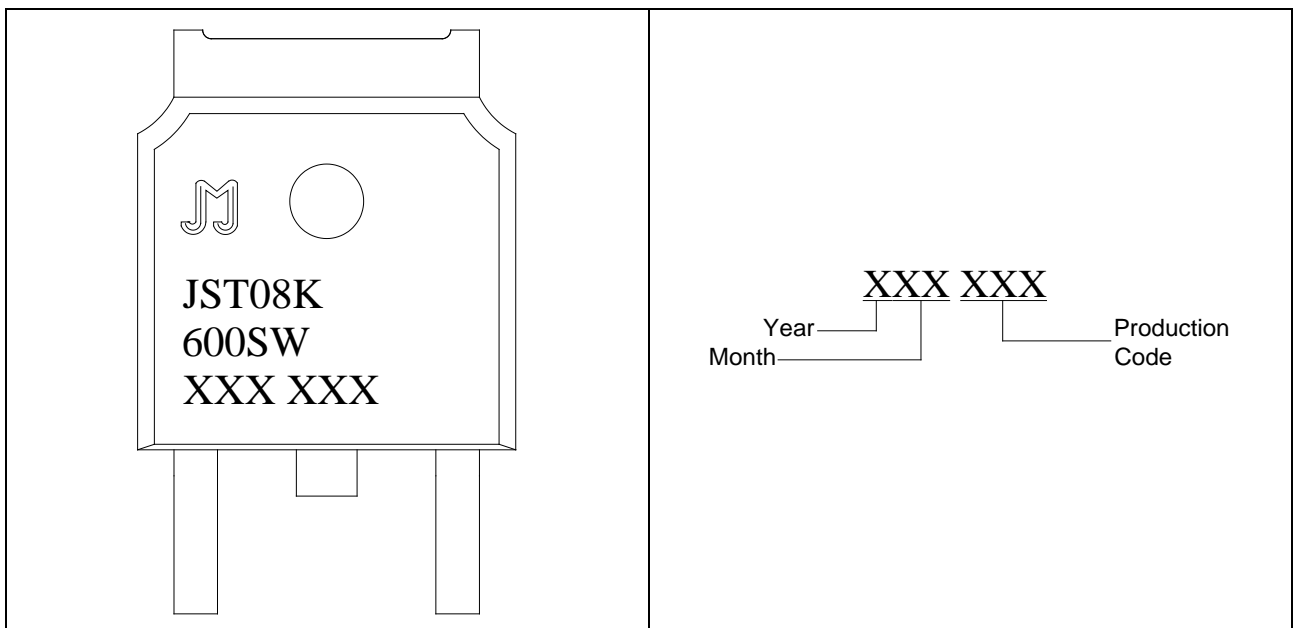


FIG.1: Maximum power dissipation versus RMS on-state current

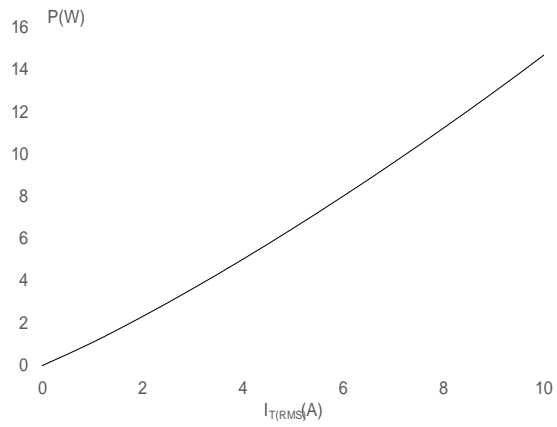


FIG.2: RMS on-state current versus case temperature

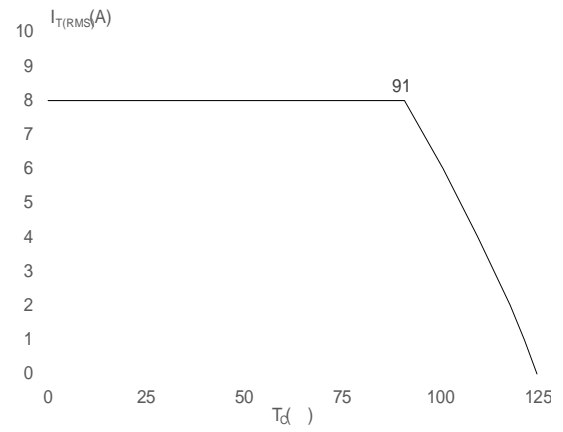


FIG.3: RMS on-state current versus ambient temperature (printed circuit board FR4,copper WKLFNQHV V P IXOO F\FOH

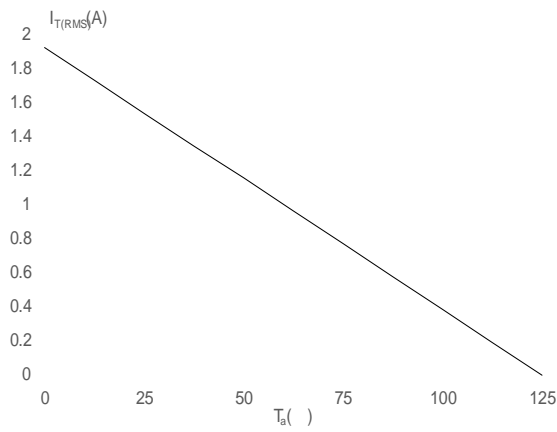


FIG.4: Surge peak on-state current versus number of cycles

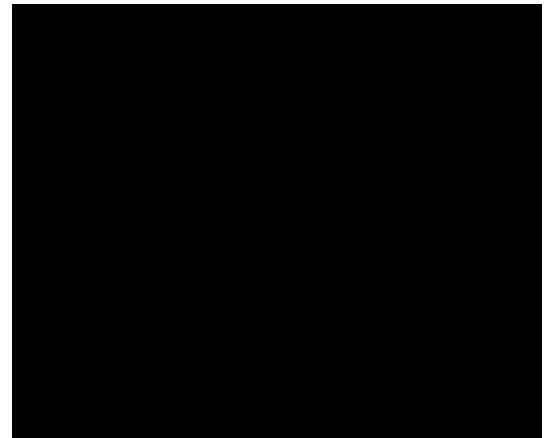


FIG.7: Relative variations of gate trigger current, holding current and latching current versus junction temperature

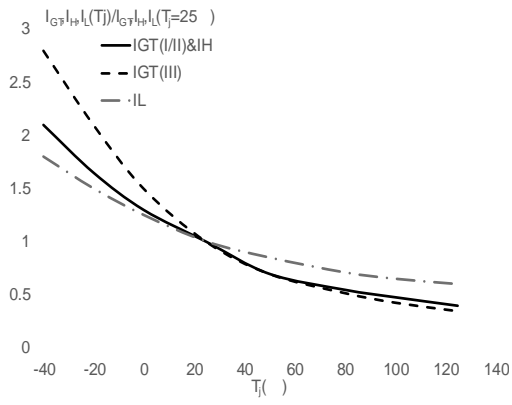
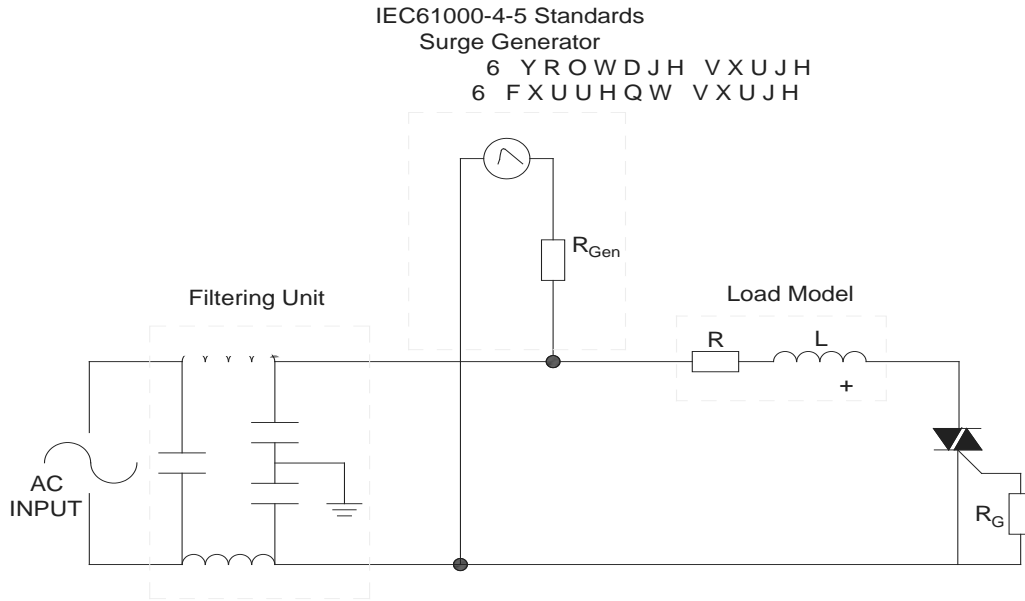


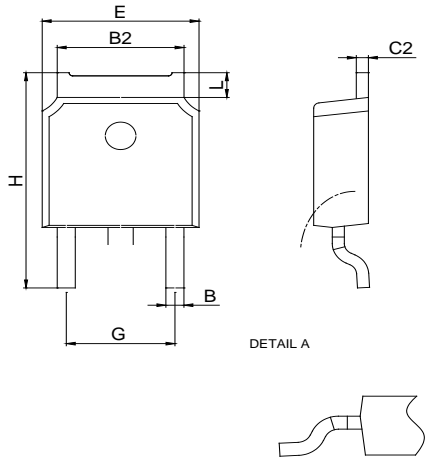
FIG.8 ÖTest circuit for inductive and resistive loads to IEC-61000-4-5 standards



ORDERING INFORMATION

| Order code | Voltage V_{DRM}/V_{RRM} (V) | IGT(mA) | Package | Base qty. (pcs) | Delivery mode |
|------------|----------------------------------|---------|---------|--------------------|---------------|
|------------|----------------------------------|---------|---------|--------------------|---------------|

PACKAGE MECHANICAL DATA



| Ref. | Dimensions | | | | | |
|------|-------------|------|------|--------|------|-------|
| | Millimeters | | | Inches | | |
| | Min. | Typ. | Max. | Min. | Typ. | Max. |
| A | 2.10 | | 2.50 | 0.083 | | 0.098 |
| A2 | 0 | | 0.15 | 0 | | 0.006 |
| B | 0.66 | | 0.86 | 0.026 | | 0.034 |
| B2 | 5.18 | | 5.48 | 0.202 | | 0.216 |
| C | 0.40 | | 0.60 | 0.016 | | 0.024 |
| C2 | 0.44 | | 0.58 | 0.017 | | 0.023 |
| D | 5.90 | | 6.30 | 0.232 | | 0.248 |
| D1 | | | | | | |
| E | 6.40 | | 6.80 | 0.252 | | 0.268 |
| E1 | 4.63 | | | 0.182 | | |
| G | 4.47 | | 4.67 | 0.176 | | 0.184 |
| G1 | 2.18 | | 2.38 | 0.086 | | 0.094 |
| L | 1.09 | | 1.21 | 0.043 | | 0.048 |
| L2 | 1.35 | | 1.65 | 0.053 | | 0.065 |



DELIVERY MODE

