



IEEE-600S W8 ARC

R A.1.1

DESCRIPTION:

The IEEE-600S W8 ARC is a high speed
 by .
 ,
 ,
 ,
 ,
 .

I_{max}	8	A
V_{max}	60	V

$I_{c} //$

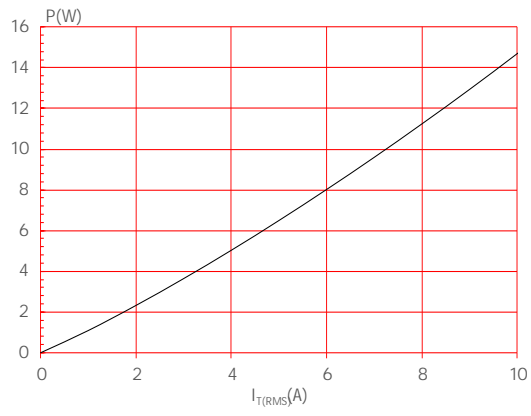
T_{g}	-0.0	
T_{j}	-0.2	
V_{max}	60	V

I_{max}	8	A
-----------	---	---

$(I_{c2} \times I_{c1})$	0	A/ μ s
t_{on}	4	A
P_{avg}	0.5	W
P_{max}	0	W

FG .1: ~~100~~

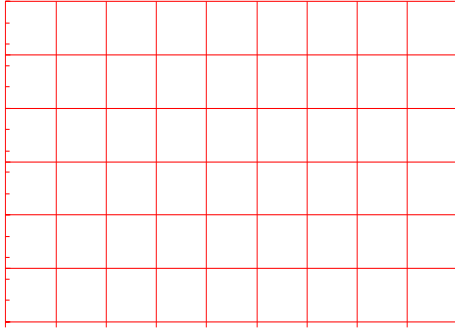
0 10



FG .2: ~~100~~

10

FG.7: ~~Me~~ ,
~~Me~~
Me



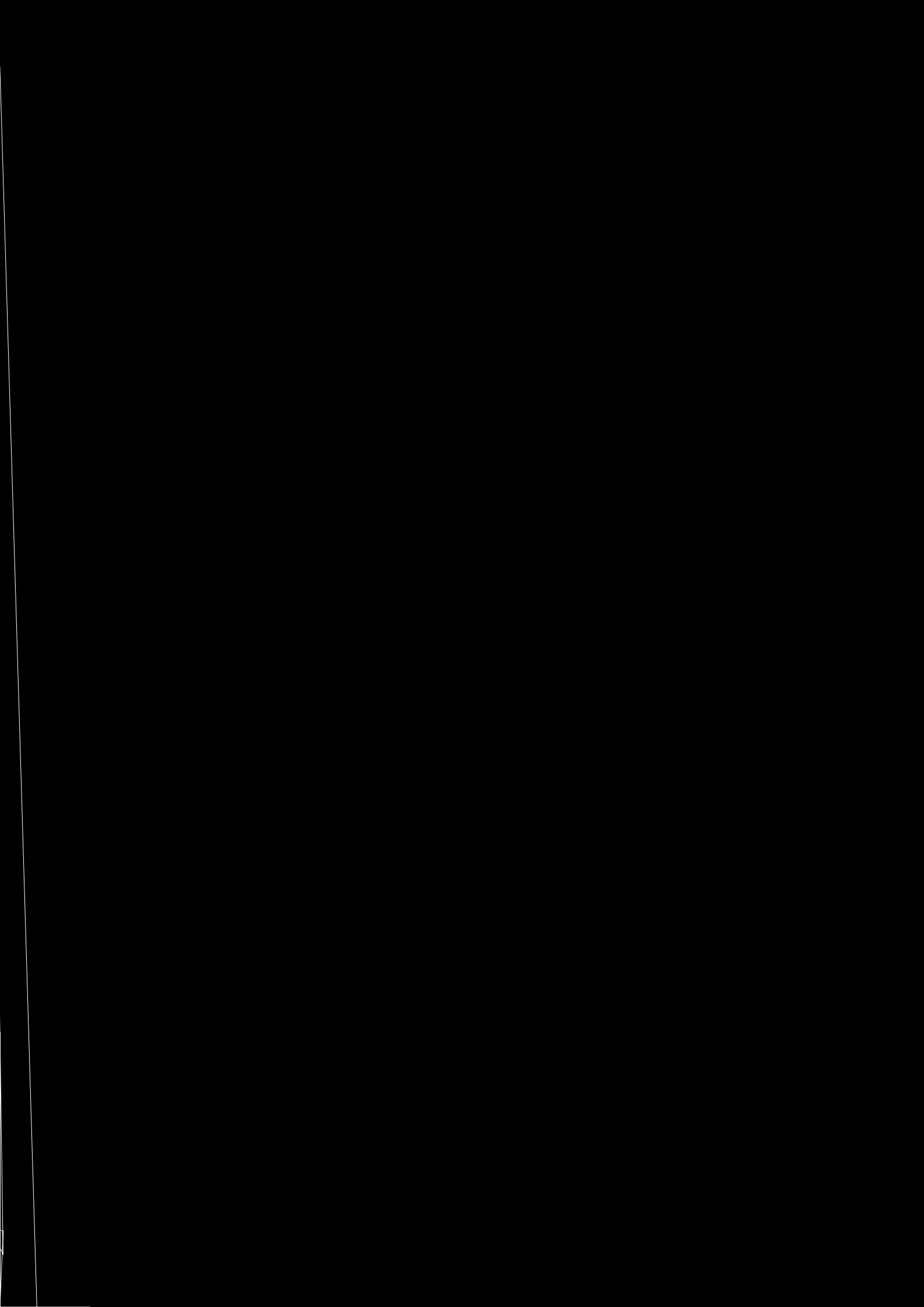
8E-6008

Jè Mb

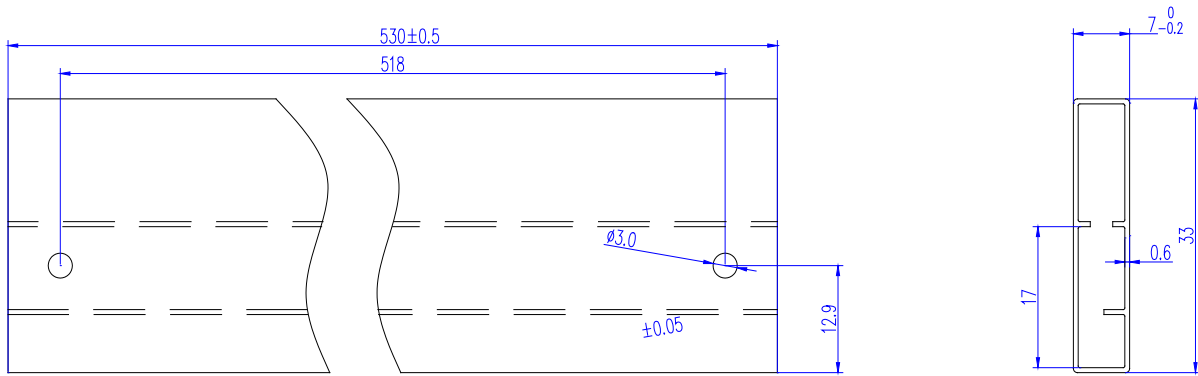
Co , d

ORDERING INFORMATION





DELIVERY MODE



1. 2. 3. 4. 5. 6. 7. 8. 9. 10. 11. 12. 13. 14. 15. 16. 17. 18. 19. 20. 21. 22. 23. 24. 25. 26. 27. 28. 29. 30. 31. 32. 33. 34. 35. 36. 37. 38. 39. 40. 41. 42. 43. 44. 45. 46. 47. 48. 49. 50. 51. 52. 53. 54. 55. 56. 57. 58. 59. 60. 61. 62. 63. 64. 65. 66. 67. 68. 69. 70. 71. 72. 73. 74. 75. 76. 77. 78. 79. 80. 81. 82. 83. 84. 85. 86. 87. 88. 89. 90. 91. 92. 93. 94. 95. 96. 97. 98. 99. 100.