



JST08A-600SW 8A TRIAC

Rev.A.1.1

DESCRIPTION:

The JST08A-600SW triac is suitable for general purpose AC switching. It can be used as an ON/OFF function in applications such as heating regulation, induction motor starting circuits, for phase control operation in light dimmers, motor speed controller. JST08A-600SW snubberless triac is specially recommended for use on inductive loads. It can be driven directly through the MCU I/O port. By using an internal ceramic pad, JST08A-600SW provides a rated insulation voltage of 2500 VRMS,

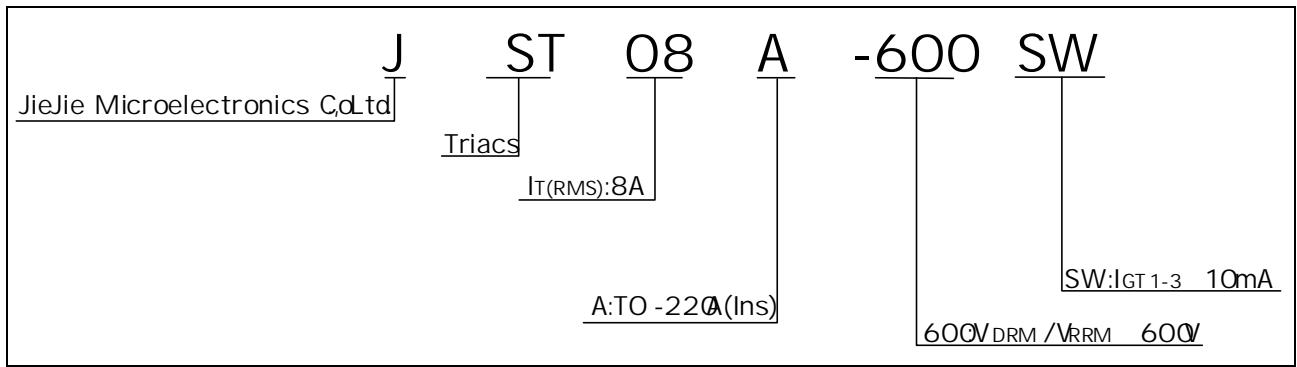
Peak gate current $p_{(t=20\mu s, T_j=125^\circ C)}$	I_{GM}	4	A
Average gate power dissipation $p_{(T=25^\circ C)}$	$P_{G(AV)}$	0.5	W
Peak gate power	P_{GM}	10	W
Peak pulse voltage ($T_j=25^\circ C$; non-repetitive, off-state; FIG.7)	V_{pp}	1.5	kV

ELECTRICAL CHARACTERISTICS ($T_j=25^\circ C$ unless otherwise specified)

Symbol	Test Condition	Quadrant	Value		Unit
I_{GT}	$V_D = 12V, R_L = 33\Omega$	- -	MAX.	10	mA
V_{GT}		- -	MAX.	1	V
V_{GD}	$V_D = V_{DRM}, T_j = 125^\circ C$ $R_L = 3.3k\Omega$	- -	MIN.	0.2	V

$I_L \quad I_G = 1.2I_{GT}$

ORDERING INFORMATION



MARKING

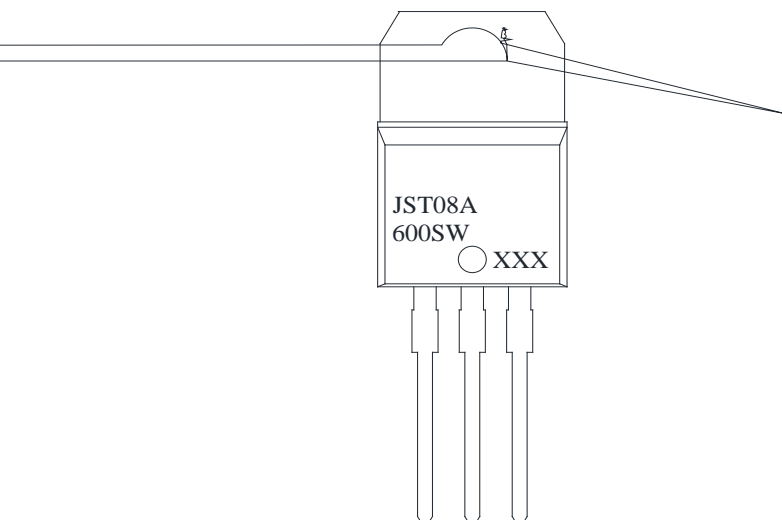


FIG.1: Maximum power dissipation versus RMS on-state current

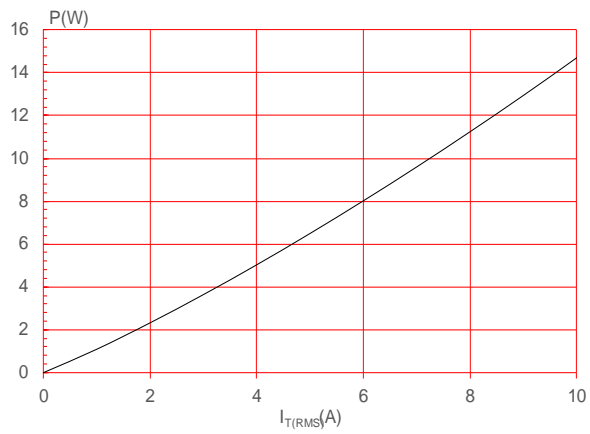
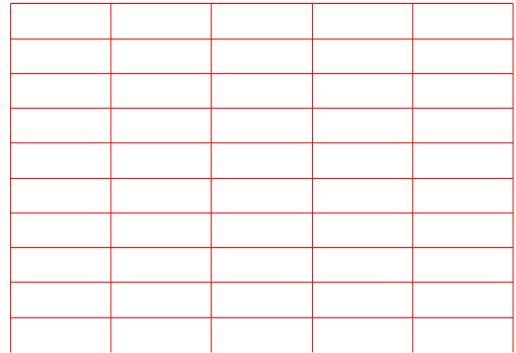


FIG.2: RMS on-state current versus case temperature



JST08A-600SW

ORDERING INFORMATION

Order code	Voltage V_{DRM}/V_{RRM} (V)	IGT(mA)	Package	Base qty. (pcs)	Delivery mode
		- -			
JST08A-600SW	600	10	TO-220A(Ins)	50	Tube

Information furnished in this document is believed to be accurate and reliable. However, Jiangsu JieJie Microelectronics Co., Ltd. assumes no responsibility for the consequences of use without consideration for such information nor use beyond it. Information mentioned in this document is subject to change without notice, apart from that when an agreement is signed, Jiangsu JieJie complies with the agreement.

Products and information provided in this document have no infringement of patents. Jiangsu JieJie assumes no responsibility for any infringement of patents of third parties which may result from the use of such products and information. This document supersedes and replaces all information previously supplied.



is a registered trademark of Jiangsu JieJie Microelectronics Co., Ltd.

Copyright © 2025 Jiangsu JieJie Microelectronics Co., Ltd. All rights reserved.