



## T2035H-8C 20A TRIAC

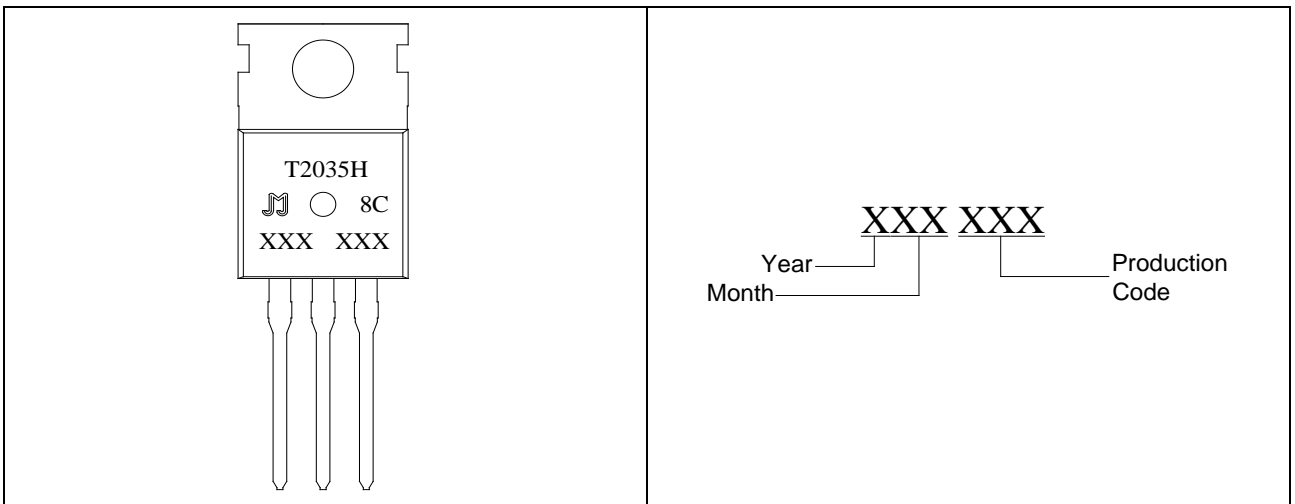
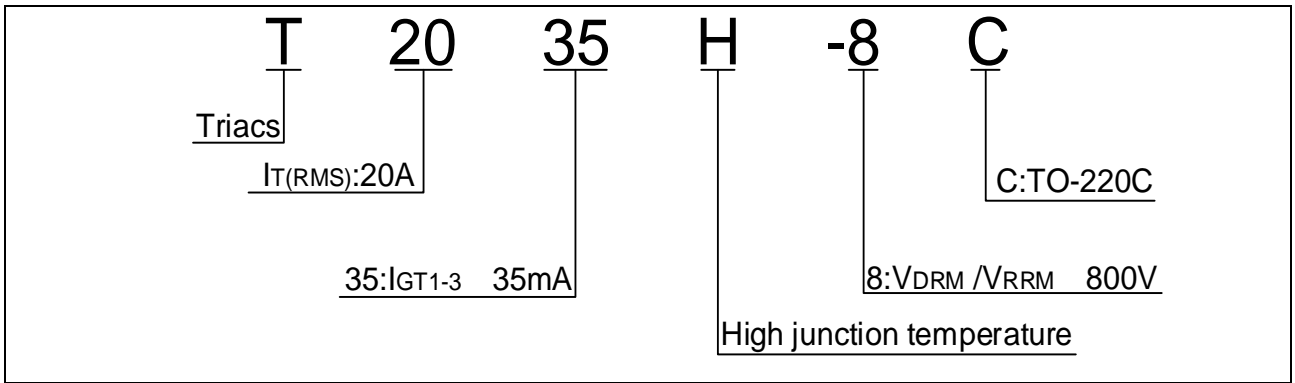
Rev.A.1.1

The T2035H-8C triac is suitable for general purpose AC switching. It can be used as an ON/OFF function in applications such as heating regulation, induction motor starting circuits, for phase control operation in light dimmers, motor speed controllers. C

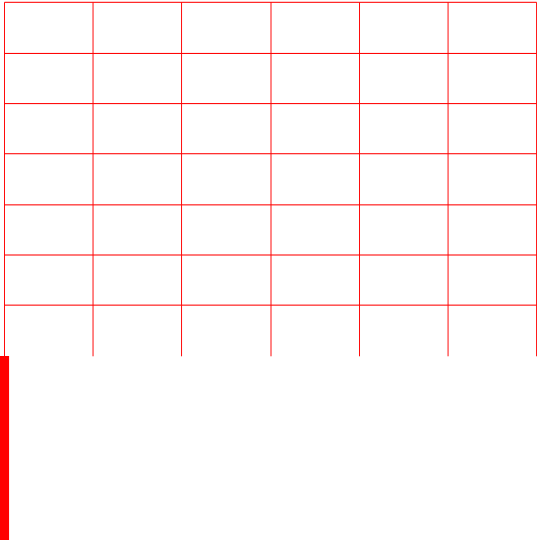
Peak pulse voltage  
( $T_j=25$  ; non-repetitive, off-state; FIG.7)

$V_{pp}$

40.0813.6 22.08 -18.48 re W n

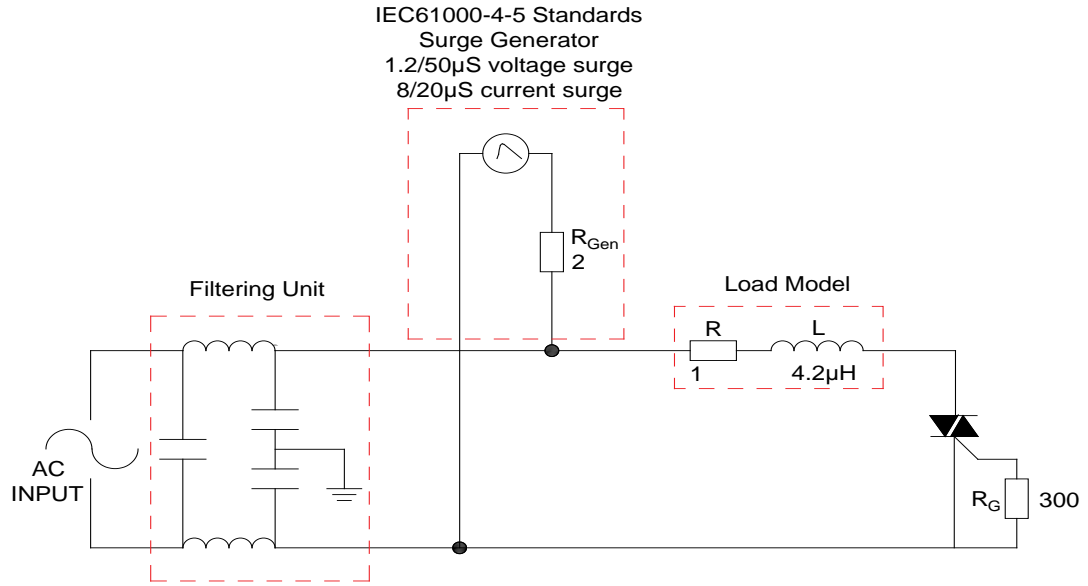


**FIG.1:** Maximum power dissipation versus RMS on-state current



**FIG.2:** RMS on-state current versus case temperature

FIG.7 Test circuit for inductive and resistive loads to IEC-61000-4-5 standards



Order code	Voltage $V_{DRM}/V_{RRM}$ (V)	IGT(mA)	Package	Base qty. (pcs)	Delivery mode
		- -			
T2035H-8C	800	35	TO-220C	50	Tube

### Document Revision History

Date	Revision	Changes
Apr.10, 2023	A.1.0	Last updated
Oct.14, 2025	A.1.1	Revise PACKAGE MECHANICAL DATA



-