



T0420H-8E 4A TRIAC

Rev.A.1.1

DESCRIPTION:

The T0420H-8E triac is suitable for general purpose AC switching. It can be used as an ON/OFF function in applications such as lighting, induction motor starting, and other AC control operations. It is a 4A, 200V triac.

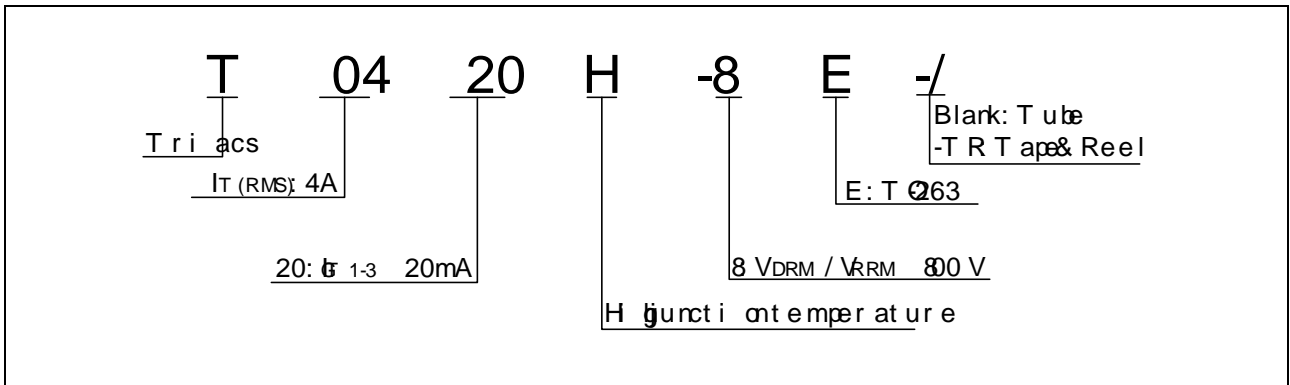
Peak pulse voltage
($T_j=25^\circ\text{C}$; non-repetitive pulse)

V_{pp}

4

kV

ORDERING INFORMATION



MARKING

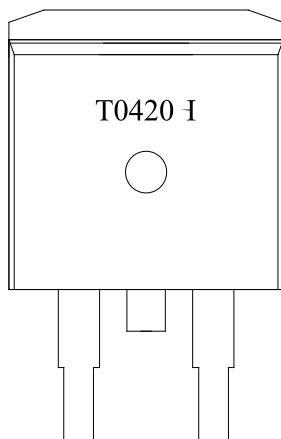
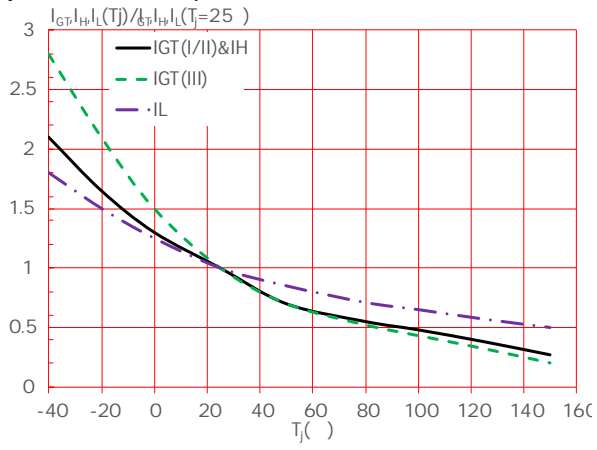


FIG.1: Maximum power dissipation versus RMS on-state current

FIG.2: RMS on-state current versus case temperature

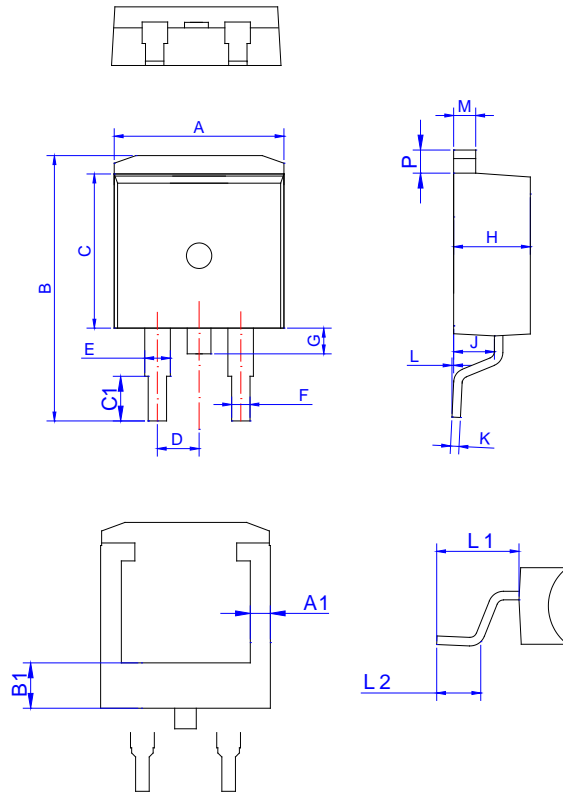
FIG.7: Relative variation of gate tri current, diode current and latch current versus junction temperature



ORDERING INFORMATION

Order code	Voltage V_{DRM}/V_{RRM} (V)	IGT(mA)	Package	Base qty. (pcs)	
------------	----------------------------------	---------	---------	--------------------	--

PACKAGE MECHANICAL DATA



Ref.	Dimensions					
	Millimeters			Inches		
	Min	Typ	Max.	Min	Typ	Max.
A	9.0		10.20	0.354		0.402
B	14.70		15.8	0.579		0.622
C	9.40		9.60	0.370		0.378
D	2.40		2.70	0.094		0.106
E	1.20		1.50	0.047		0.059
F	0.75		0.8	0.029		0.033
G						0.70
H	4.40		4.70	0.173		0.185
J						
K						

DELIVERY MODE

