

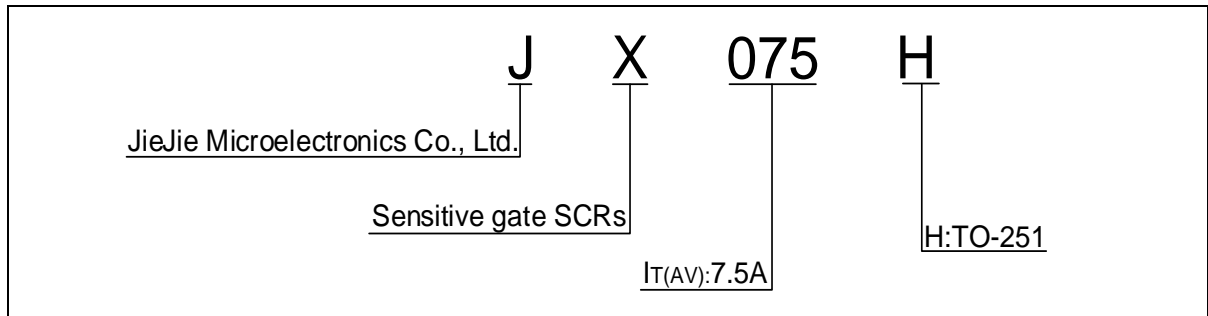


Peak gate power	$P_{GM}$	10	W
Peak pulse voltage ( $T_j=25$ ; non-repetitive,off-state;FIG.7)	$V_{pp}$	0.5	kV

**ELECTRICAL CHARACTERISTICS** ( $T_j=25$  unless otherwise specified)

Symbol	Test Condition	Value			Unit
		MIN.	TYP.	MAX.	
$I_{GT}$	$V_D=12V R_L=33$	-	60	200	A
$V_{GT}$		-	-	0.8	V
$V_{GD}$	$V_D=V_{DRM} T_j=110$	0.2	-	-	V
$I_L$	$I_G=1.2 I_{GT}$	-	-	6	mA
$I_H$	$I_T=0.05A$	-	-	5	mA
$dV/dt$	$V_D=540V T_j=25 R_{GK}=1k$	50	-	-	V/s
	$V_D=540V T_j=25 R_{GK}=\phantom{1k}$	200	-	-	
$t_{on}$	$I_G=10mA I_A=20mA I_R=2mA$ $T_j=25$	-	2	-	st-s

ORDERING INFORMATION



MARKING

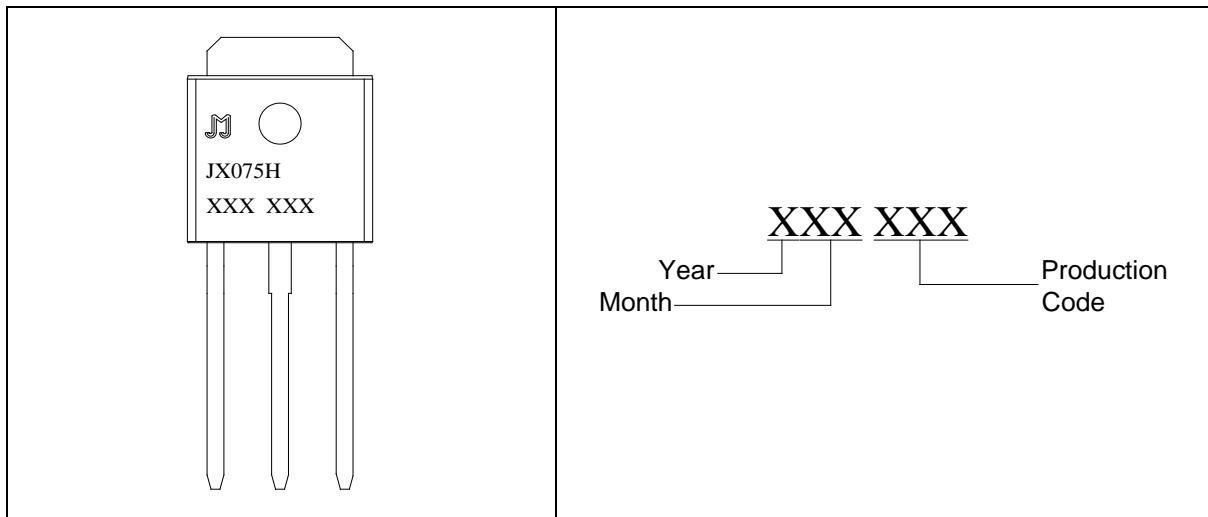


FIG.1: Maximum power dissipation versus  
RMS on-state current

FIG.2: RMS on-state current versus case  
temperature

JX075H

---





PACKAGE MECHANICAL DATA

