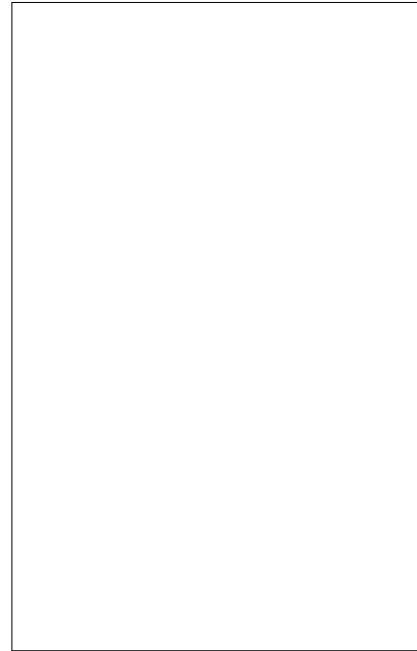


JCT620EH 20A SCR

Rev.A.1.1

## DESCRIPTION:

With high ability to withstand the shock loading of large current, JCT620EH SCR provides high  $dV/dt$  rate with strong resistance to electromagnetic interference. It is especially recommended for use on solid state relay, motorcycle, power charger, T-tools etc. Package TO-263 is RoHS compliant.



## MAIN FEATURES

Peak gate power	$P_{GM}$	20	W
Peak pulse voltage ( $T_j=25$ ; non-repetitive,off-state;FIG.8)	$V_{pp}$	0.5	kV

ELECTRICAL CHARACTERISTICS (unless otherwise specified)

Symbol	Test Condition	Value			Unit
		MIN.	TYP.	MAX.	
$I_{GT}$	$V_D=12V R_L=33$	-	-	15	mA
$V_{GT}$		-	-	1	V
$V_{GD}$	$V_D=V_{DRM} T_j=150 R_L=3.3k$	0.2	-	-	V
$I_L$	$I_G=1.2I_{GT}$	-	-	60	mA
$I_H$	$I_T=500mA$	-	-	50	mA
dV/dt	$V_D=400V$ Gate Open $T_j=125$	500	-	-	V s
	$V_D=400V$ Gate Open $T_j=150$	300	-	-	

t ~~e(186) 123905 106409650158 Q(T)3.922868 40C /Spa[n <12 4e)]TJJ 0 8.0e f67 8.0e Tw~~

ORDERING INFORMATION

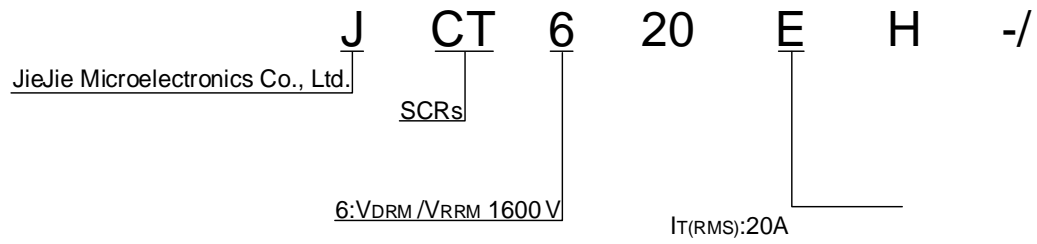


FIG.1: Maximum power dissipation versus  
RMS on-state current

FIG.2: RMS on-state current versus case  
temperature

FIG.7: Relative variations of gate trigger current, holding current and latching current versus junction temperature

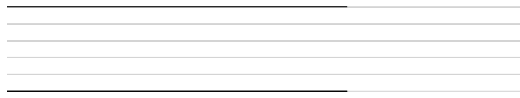
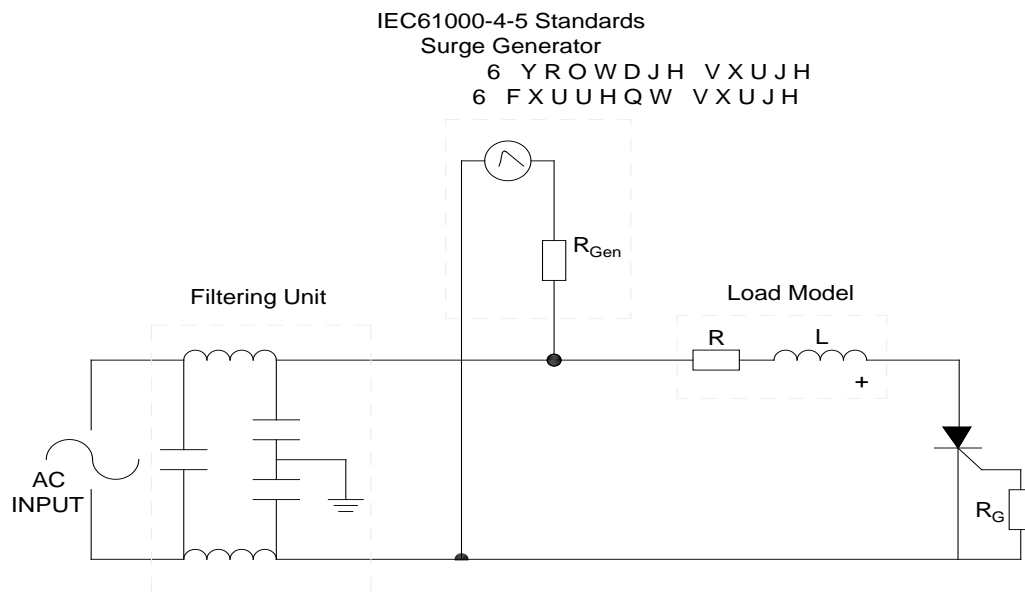


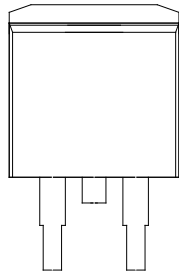
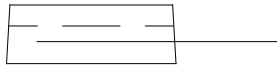
FIG.8 ÖTest circuit for inductive and resistive loads to IEC-61000-4-5 standards.



ORDERING INFORMATION

Order code	Voltage $V_{DRM}/V_{RRM}$ (V)	IGT(mA)	Package	
------------	----------------------------------	---------	---------	--

PACKAGE MECHANICAL DATA



Ref.	Dimensions					
	Millimeters			Inches		
	Min.	Typ.	Max.	Min.	Typ.	Max.
A	9.90		10.20	0.390		0.402
B	14.70		15.80	0.579		0.622
C	9.40		9.60	0.370		0.378
D	2.40			0.094		
E	1.20		1.50	0.047		0.059
F	0.75		0.85	0.029		0.033



