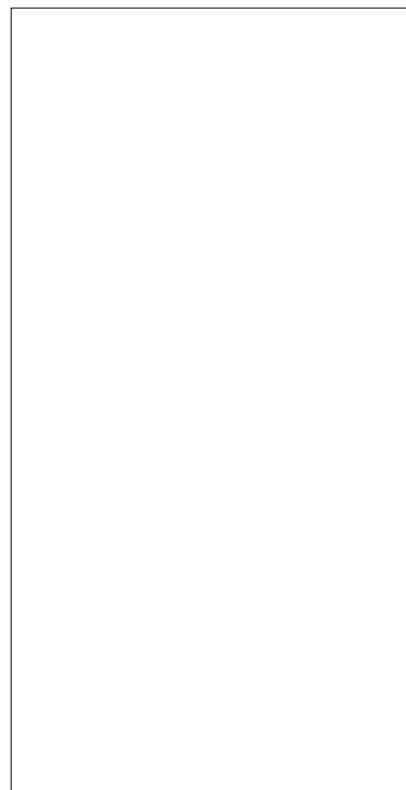




DESCRIPTION:

With high ability to withstand the shock loading of large current, JCT1225A SCR provides high dV/dt rate with strong resistance to electromagnetic interference. It is especially recommended for use on solid state relay, motorcycle, power charger, T-tools etc. From all three terminals to external heatsink, JCT1225A provides a rated insulation voltage of 2500 V_{RMS}, complying with UL standards (File ref: E252906). Package TO-220A is RoHS compliant.



MAIN FEATURES

ABSOLUTE MAXIMUM RATINGS

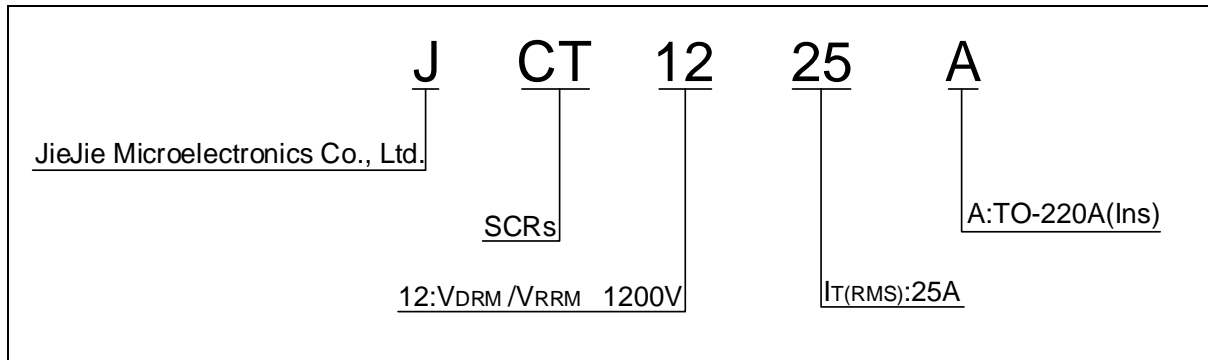
Parameter	Symbol	Value	Unit
Storage junction temperature range	T _{stg}	-40-150	
Operating junction temperature range	T _j	-40-125	
Repetitive peak off-state voltage (T _j =25 °C)	V _{DRM}	1200	V
Repetitive peak reverse voltage (T _j =25 °C)	V _{RRM}	1200	V
Average on-state current (T _c 0.64 °C)	I _{T(AV)}	16	A
RMS on-state current (T _c 0.64 °C)	I _{T(RMS)}	25	A
Non repetitive surge peak on-state current (t _p =10ms, T _j =25 °C)	I _{TSM}	320	A

Peak gate current ($t_p=20 \text{ s}$, $T_j=125 \text{ }^\circ\text{C}$)	I_{GM}	5	A
Average gate power dissipation ($T_j=125 \text{ }^\circ\text{C}$)	$P_{G(AV)}$	1	W
Peak gate power	P_{GM}	20	W
Peak pulse voltage ($T_j=25 \text{ }^\circ\text{C}$; non-repetitive,off-state;FIG.7)	V_{pp}	1	kV

ELECTRICAL CHARACTERISTICS (unless otherwise specified)

Symbol	Test Condition	Value			Unit
		MIN.	TYP.	MAX.	
I_{GT}	$V_D=12V$ $R_L=33$	-	-	40	mA

ORDERING INFORMATION



MARKING

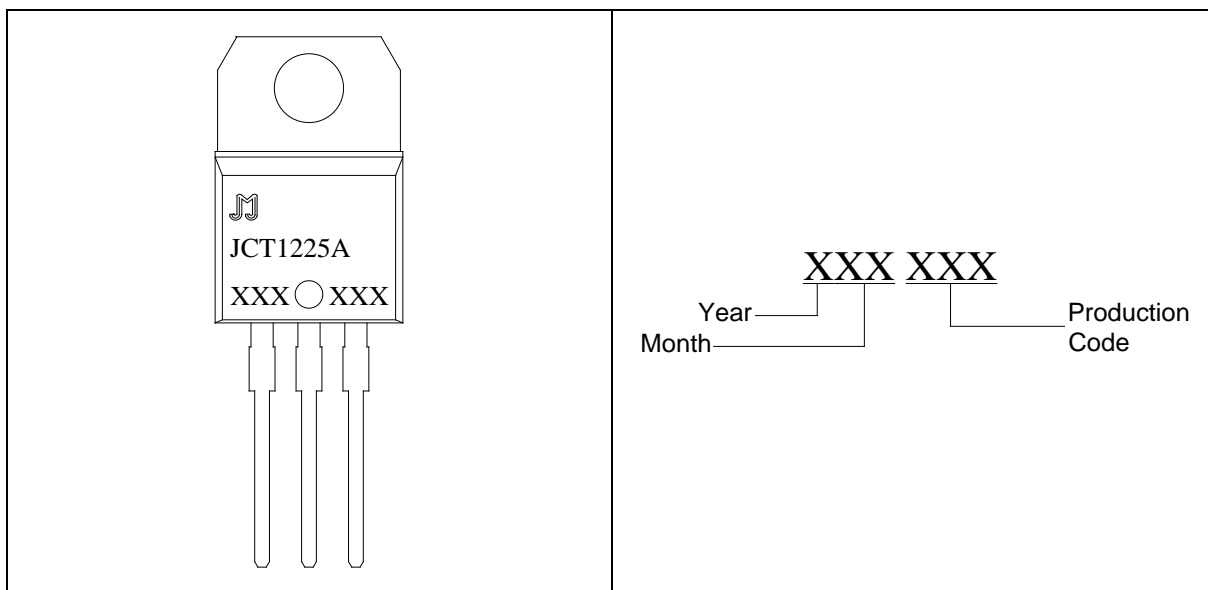
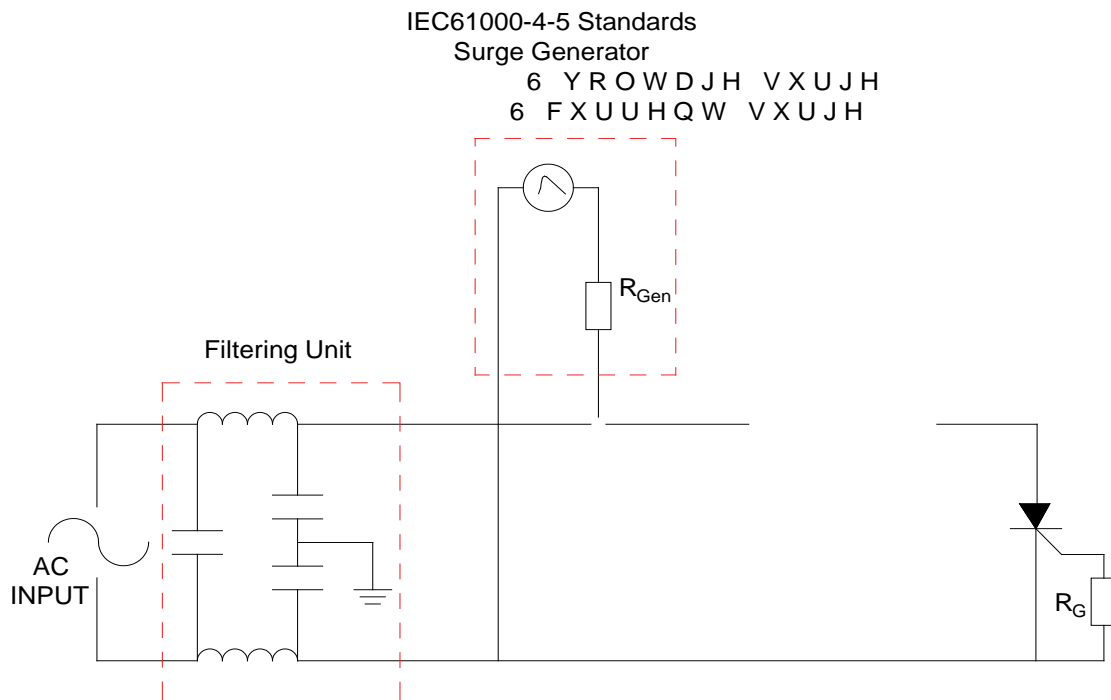


FIG.1: Maximum power dissipation versus RMS on-state current



FIG.2: RMS on-state current versus case temperature

FIG.7 ÖTest circuit for inductive and resistive loads to IEC-61000-4-5 standards.



PACKAGE MECHANICAL DATA

