

D.

A.1.1

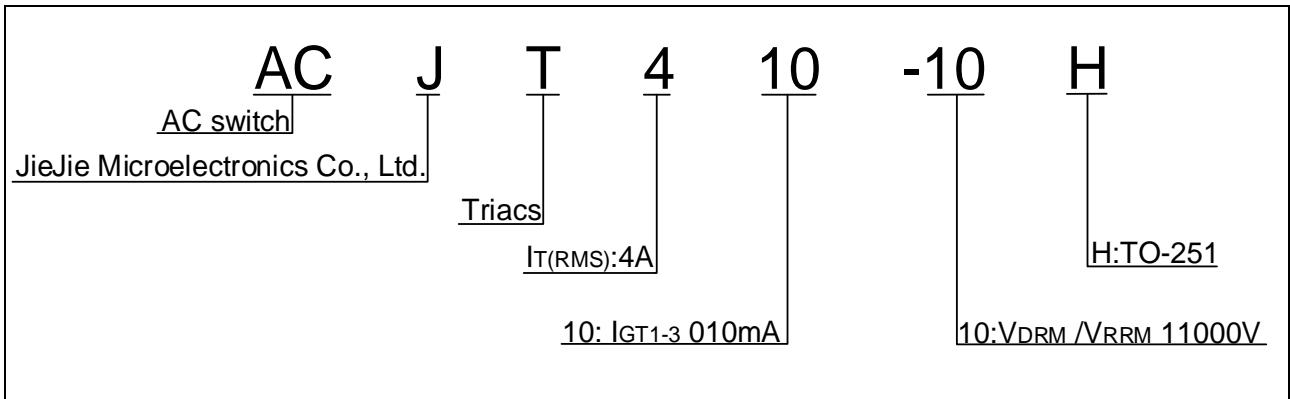


it
S
US
/
/

Peak pulse voltage
($T_j=25$; non-repetitive,off-state;FIG.7)

V

ORDERING INFORMATION



MARKING

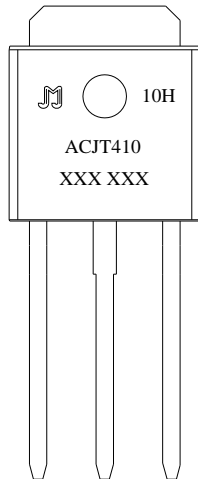


FIG.1: Maximum power dissipation versus RMS on-state current

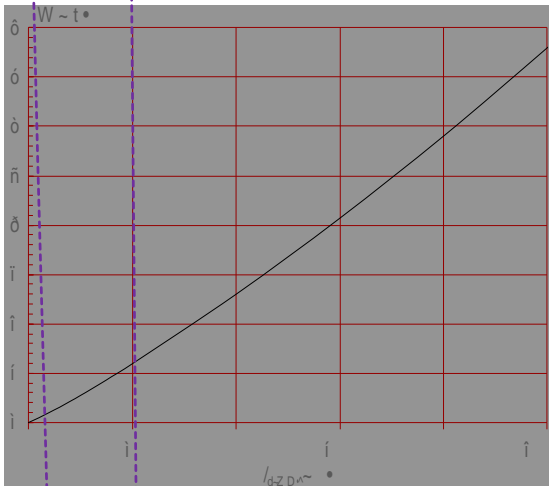


FIG.3: Surge peak on-state current versus number of cycles

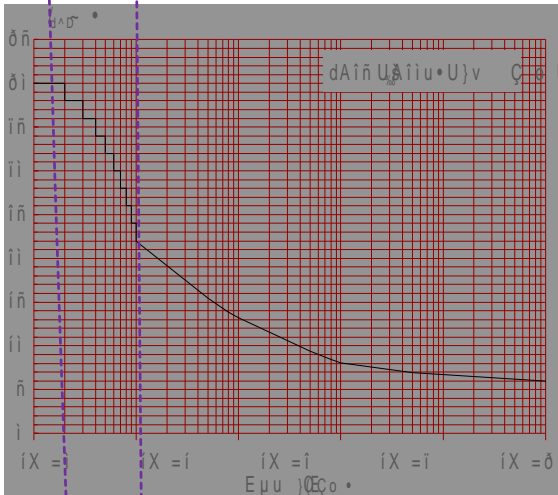


FIG.5: Non-repetitive surge peak on-state current for a sinusoidal pulse with width $t_p < 20\text{ms}$, and corresponding value of I^2t ($dI/dt < 50\text{A}/\mu\text{s}$)

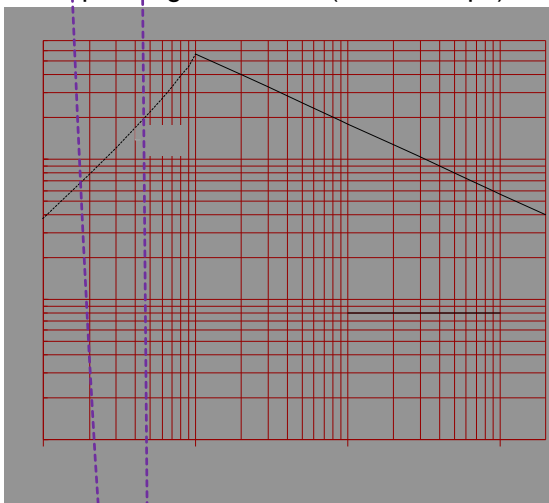


FIG.2: RMS on-state current versus case temperature

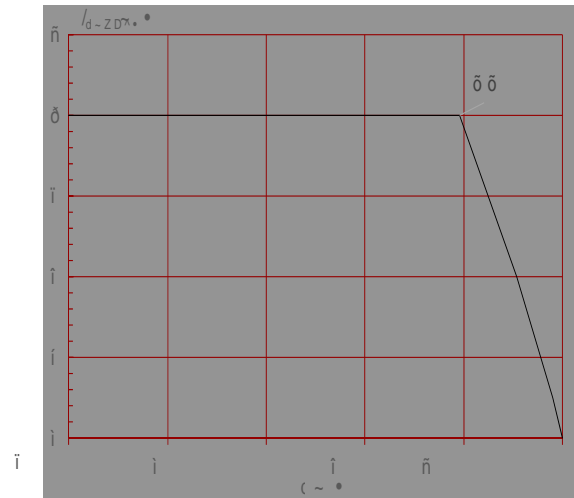


FIG.4: On-state characteristics

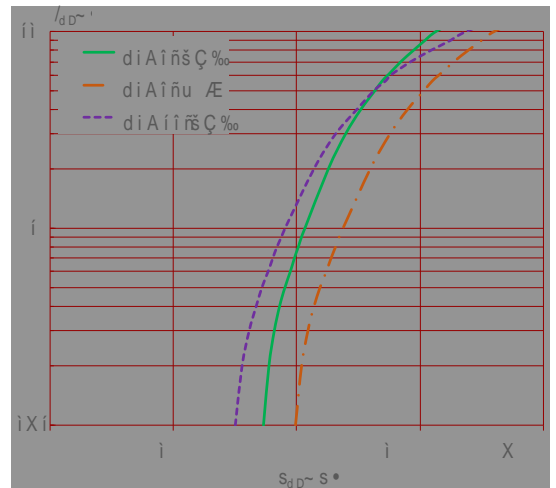
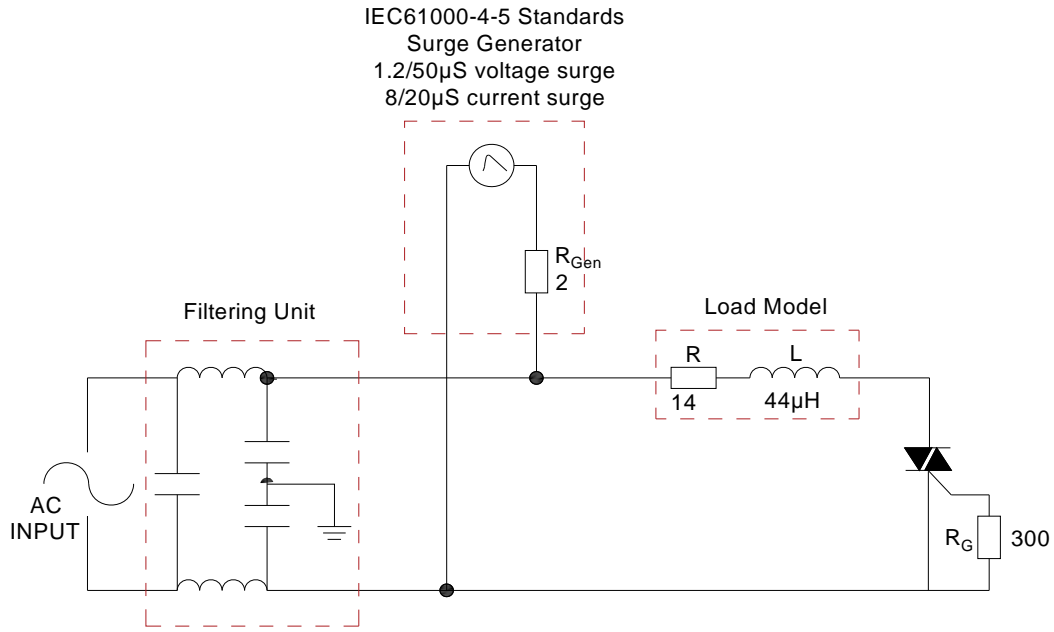


FIG.6: Relative variations of gate trigger current, holding current and latching current versus junction temperature

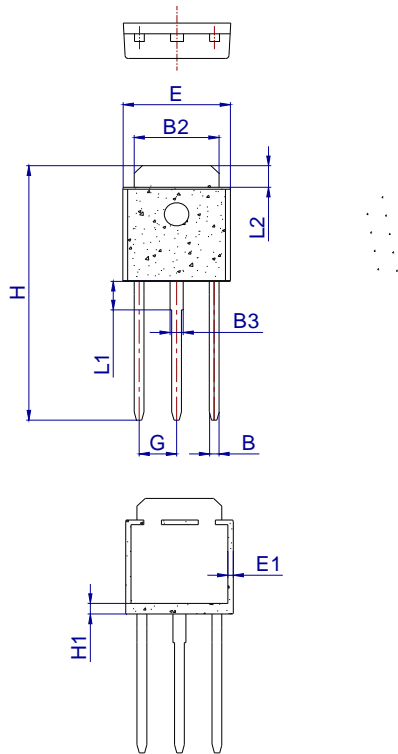
FIG.7 ÖTest circuit for inductive and resistive loads to IEC-61000-4-5 standards



ORDERING INFORMATION

Order code	Voltage V ú M	/	M
------------	------------------	---	---

PACKAGE MECHANICAL DATA



Ref.	Dimensions					
	Millimeters			Inches		
	Min.	Typ.	Max.	Min.	Typ.	Max.
A	2.20		2.40	0.086		0.095
A2	1.00		1.30	0.039		0.051
B	0.50		0.70	0.020		0.028
B2	5.10		5.40	0.200		0.213
B3						
C						
C2						
D						
E						
E1	0.60		1.00	0.024		0.039
G						
H	16.00		17.00	0.630		0.669
H1	1.45		1.85	0.057		0.073
L1						

