





**Fig. 1: Function Blocks**





# Electrical Characteristics

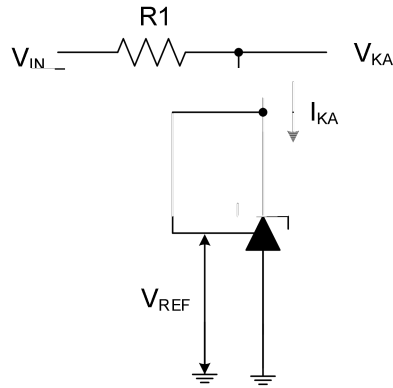


Fig. 2: Test Circuit 1 for  $V_{KA} = V_{REF}$

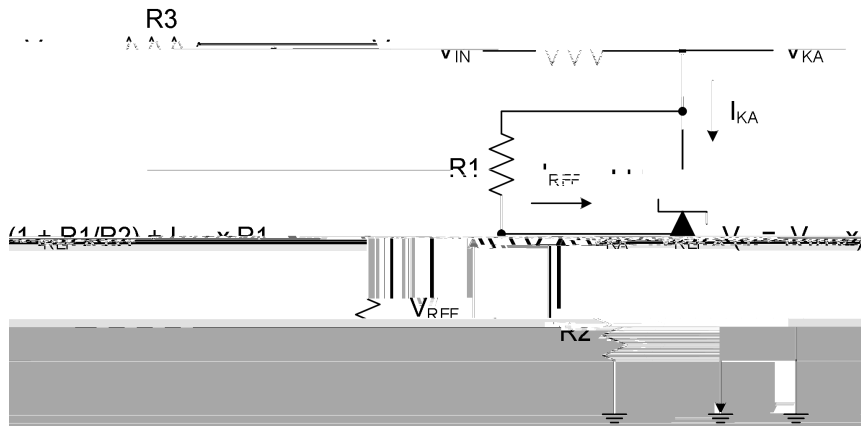


Fig. 3: Test Circuit 2 for  $V_{KA} > V_{REF}$

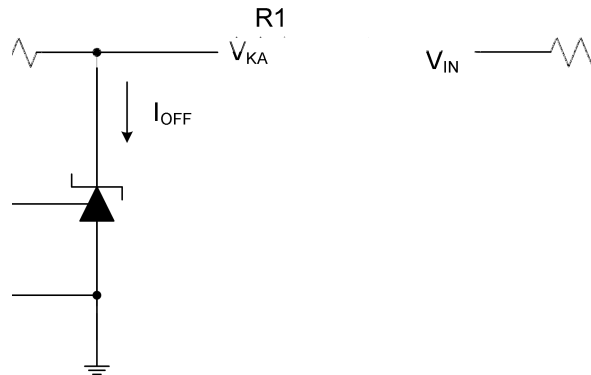


Fig. 4: Test Circuit 3 for  $I_{OFF}$



**JVR431**

**Shunt Voltage Reference**

## Performance Characteristics



JVR431

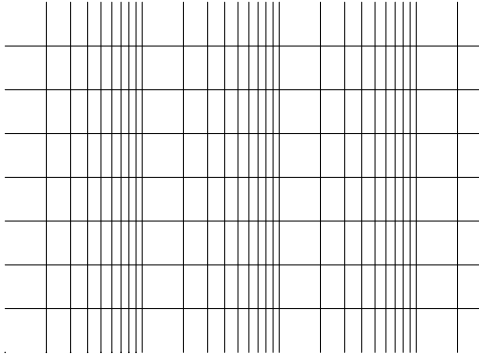
Shunt Voltage Reference

---

## Performance Characteristics

---

**Fig. 11: Small Signal Voltage Gain vs. Frequency**



**Fig. 12: Reference Impedance vs. Frequency**

**Fig. 13: Stability Boundary Conditions (Cathode Current vs. Load Capacitance)**



## Shunt Voltage Reference

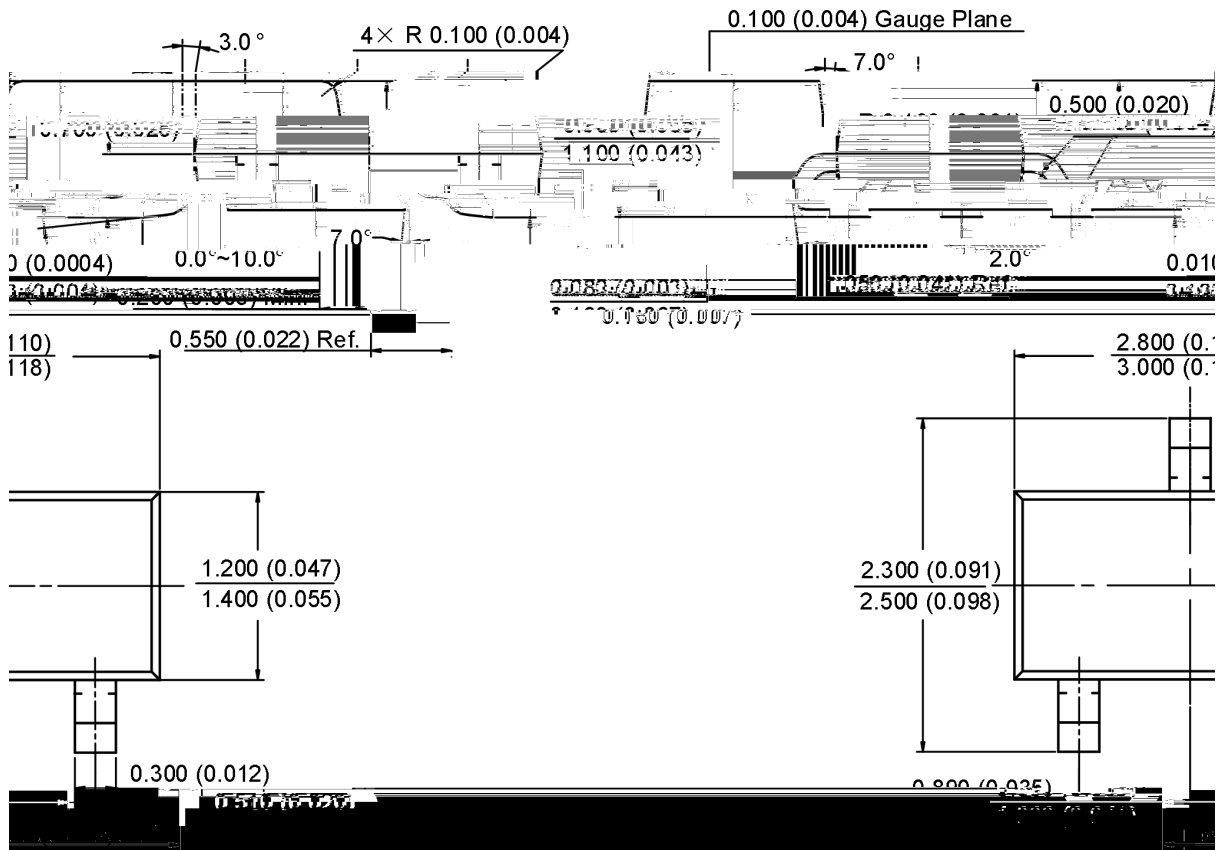


JVR431

Shunt Voltage Reference

## Package Outline

Package Type: SOT-23



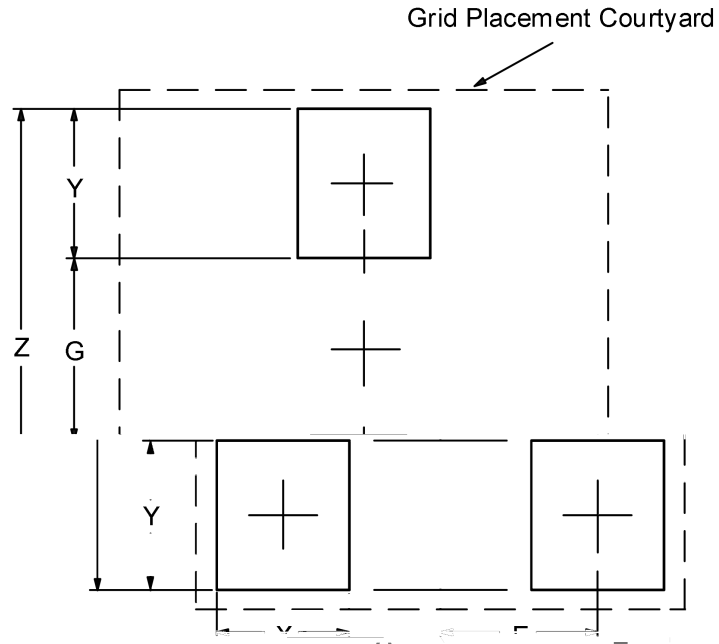


JVR431

Shunt Voltage Reference

## Suggested Pad Layout

Package Type: SOT-23





**JVR431**

**Shunt Voltage Reference**