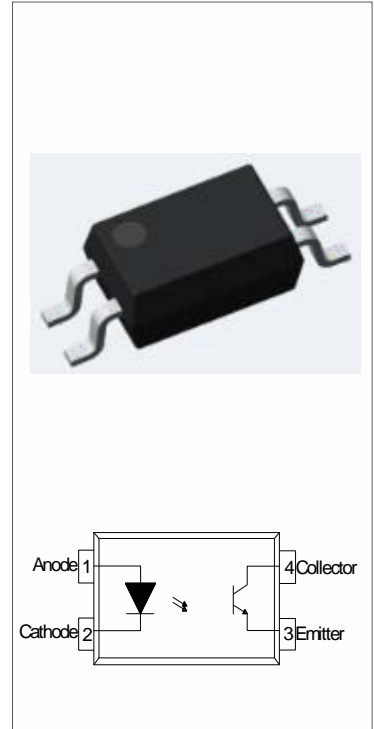


DESCRIPTION:

The products are transistor opto-couplers in a SSOP4 package. The device is a photoelectric coupler composed of light-emitting diode and phototransistor. The products are widely used in switching power supply, intelligent meter, industrial control, measuring instruments, office equipment such as copiers, household appliances: such as air conditioners, fans, water heaters, etc.

MAIN FEATURES

High isolation 3750 VRMS
 Operating temperature range -40°C to 125°C
 RoHS & REACH Compliance
 HBM: H3A; MM: M4; CDM:C3
 CQC approved
 VDE approved
 UL approved



ABSOLUTE MAXIMUM RATINGS (Temperature=25°C)

Parameter		Symbol	Value	Unit
Input	Forward Current	I_F	50	mA
	Peak Forward Current	I_{FP}	1	A
	Reverse Voltage	V_R	6	V
	Power Dissipation	P_D	75	mW
Output	Collector-emitter Voltage	V_{CEO}	80	V
	Emitter-collector Voltage	V_{ECO}	7	V
	Collector Current	I_C	50	mA
	Power Dissipation	P_C	150	mW
Total Power Dissipation		P_{tot}	225	mW
Isolation Voltage		V_{iso}	3750	Vrms
Operating Temperature		T_{opr}	-40~+125	
Junction Temperature		T_j	135	
Storage Temperature		T_{stg}	-55~+125	
Soldering Temperature		T_{sol}	260	

NOTE1:

NOTE2:

ELECTRICAL CHARACTERISTICS (Temperature=25°C)

Parameter		Symbol	Condition	Min.	Typ.	Max.	Unit
Input	Forward Voltage	V_F	$I_F=10\text{mA}$	-	1.2	1.5	V
	Reverse Current	I_R	$V_R=6\text{V}$	-	-	1	μA
	Terminal Capacitance	C_t	$V=0,$ $f=1\text{MHz}$	-	30	250	pF
Output	Collector-Emitter dark current	I_{CEO}	$V_{CE}=20\text{V},$ $I_F=0$	-	-	50	nA
	Collector-Emitter breakdown voltage	BV_{CEO}	$I_C=0.1\text{mA}$ $I_F=0$	80	-	-	V
	Emitter-Collector breakdown voltage	BV_{ECO}	$I_E=0.1\text{mA}$ $I_F=0$	7	-	-	V

Current transfer ratio

$$\frac{CTR}{F_{bre}}$$

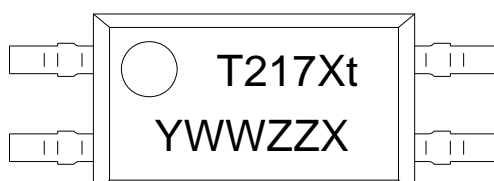
Transfer
Characteristics

ORDERING INFORMATION

<p>J</p> <p>JieJie Microelectronics Co., Ltd.</p>	<p>OC</p> <p>Opto Coupler</p>	<p>T</p> <p>Transistor</p>	<p>217</p> <p>Marketization Model</p>	<p>P</p> <p>CTR Rank:P/Q</p>	<p>t</p> <p>t:High Temperature</p>	<p>-S4</p> <p>SSOP4</p>	<p>/</p> <p>None:T1 R:T2</p>
--	--------------------------------------	-----------------------------------	--	-------------------------------------	---	--------------------------------	---

Packing Quantity	
Option	Quantity

MARKING

 <p>T217Xt YWWZZX</p>	<p><u>YWWZZX</u></p> <p>LOT NO.</p>
--	-------------------------------------

Characteristics Curves

FIG.1: Max. Allowable LED Forward Current vs. Ambient Temperature

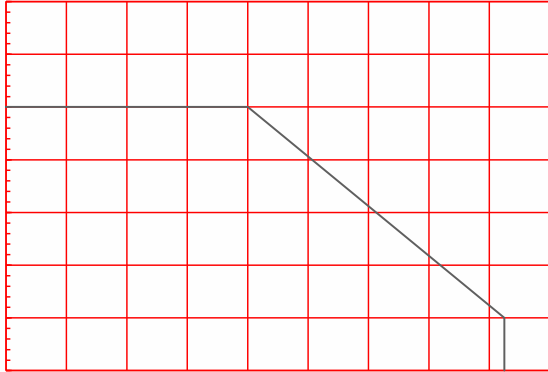


FIG.2: Collector Power Dissipation vs. Ambient Temperature

Test Circuits

FIG.11: Test Circuits of Response Time

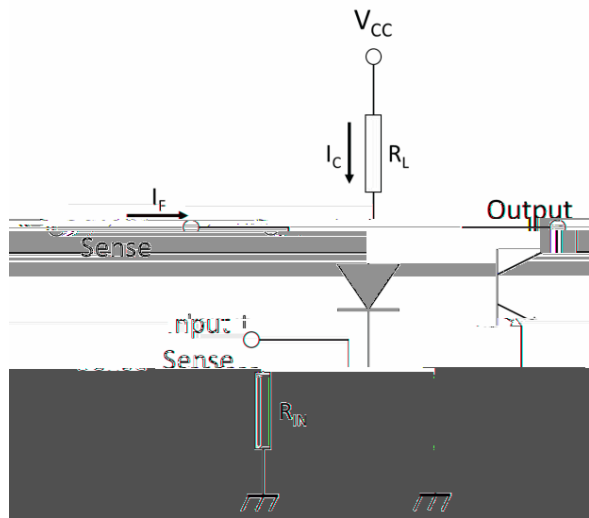


FIG.12: Curves of Response Time

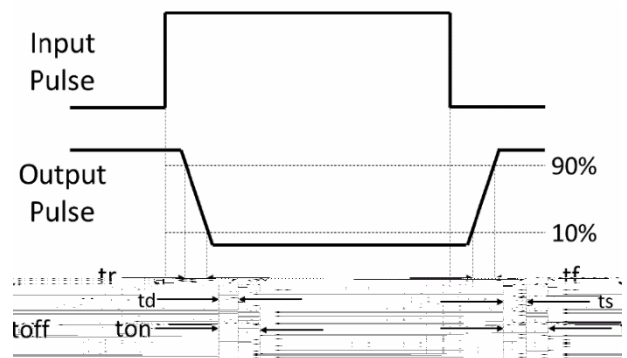
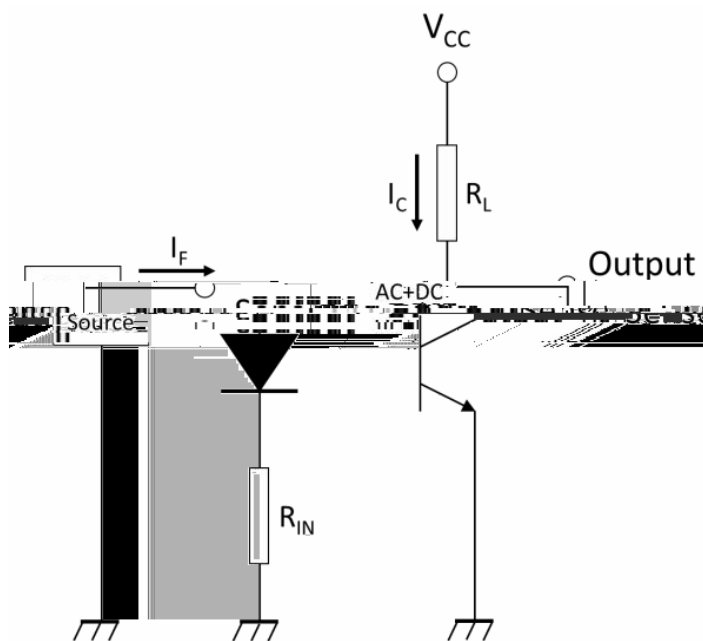
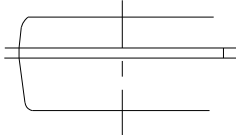
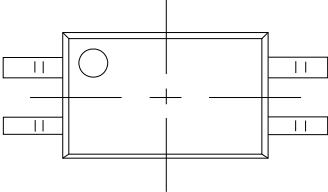


FIG.13: Test Circuits of Frequency Response

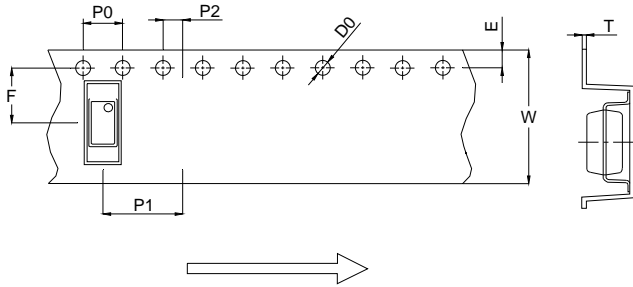


Package Dimension (Unit: mm)



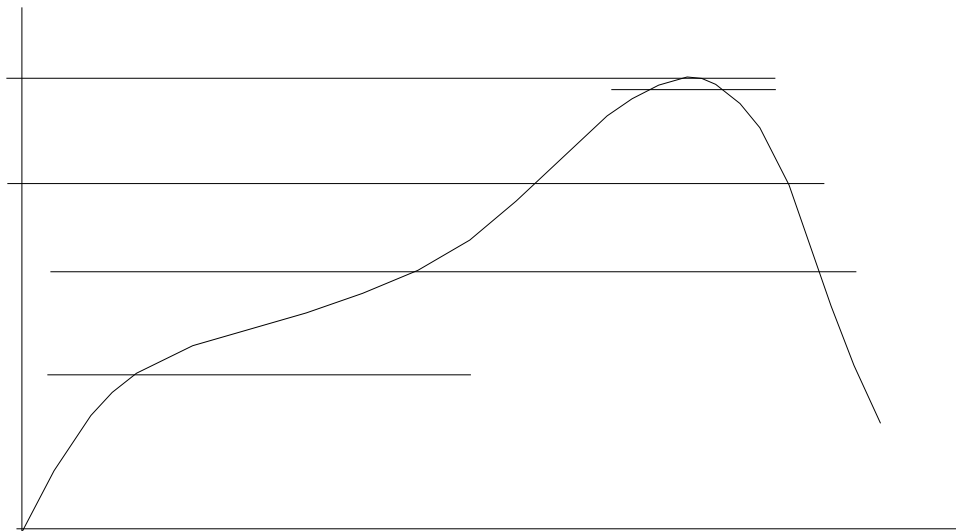
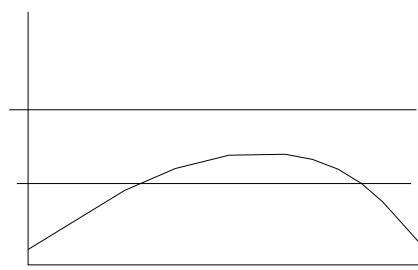
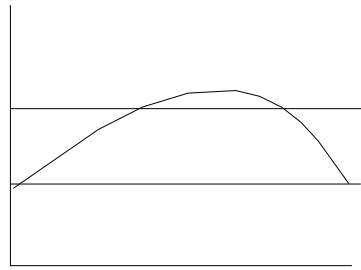
CARRIER TAPE SPECIFICATIONS (Dimensions in mm unless otherwise stated)

Option None/R



Ref.	Dimensions					
	Millimeters			Inches		
	Min.	Typ.	Max.	Min.	Typ.	Max.
D0		1.50	1.60		0.059	0.063
P0	3.90		4.10	0.154		0.161
P1	7.90		8.10	0.311		0.319
P2	1.90		2.10	0.075		0.083
E	1.65		1.85	0.065		0.073
F	5.40		5.60	0.213		0.220
T	0.20		0.30	0.008		0.012
W	11.90		12.30	0.469		0.484

REFLOW INFORMATION



Note: